

DRAMA LED



MEGA^{LITE}

PRODUCT SPECIFICATION SHEET

DESCRIPTION

The Drama LED W50 is a compact yet powerful ellipsoidal with a smooth, flat spotlight. This single-source 50-watt LED fixture has a robust 2557 lumen output, yet only measures 14.5 inches long and weighs less than 5 pounds. It's just the right size for a small to medium-sized stage or venue.

The Drama LED W50 has 4 lens options including 19°, 26°, 36° and 50° degree to best suit the throw requirements of the application. Four framing blades come equipped with this unit, perfect for changing the shape of the spotlight. The fixture also comes standard with a gobo holder used to project patterns and a gel frame holder used to change the color of the spotlight. The projection can be focused manually with the unit's lens tube. Additionally, a manual iris accessory is available to adjust the diameter of the spotlight. The fixture's housing is available in black or painted white. It is manufactured with a single mounting yoke for rigging.

The Drama LED W50 is an on/off lighting fixture or a controllable unit. An external controller is available to control the fixture via DMX 512. It mounts on the side of the fixture's single yoke. This gives the unit 255 steps of dimming and a flash mode. Additionally, four dimming curves offer varying speeds of fading to black. The controller is made to your specs with either 3-pin or 5-pin DMX connections. The unit houses an auto-switching power supply that operates from 100V to 240V.



COMPACT

This compact, powerful fixture packs a punch. At less than five pounds, this unit is easy to install and move.



MANUAL LENS

Four lens options (19°, 26°, 36°, and 50°) to best suit the application throw requirements.



DMX CONTROL

An external controller is mountable on the side of the fixture's yoke to control the Drama LED W50 via DMX 512.

SOURCE

• LED TYPE: 1 COB LED

OPTICAL SYSTEM

• LENS OPTIONS: 19°, 26°, 36°, & 50°

EFFECTS

• CRI: 84
• COLOR TEMP: 5749K

CONTROL & PROGRAMMING

• DISPLAY: DIGITAL
• PROTOCOL: DMX 512
• DMX CHANNELS: 3 MODES OF OPERATION
• BALLAST: ELECTRONIC

THERMAL & RATINGS

• MAX AMBIENT TEMP: 40°C (104°F)
• MAX SURFACE TEMP: 60°C (140°F)
• MAX OPERATING TEMP: 40°C (104°F)
• IP RATING: IP20

ELECTRICAL & CONNECTIONS

• POWER CONNECTION: NEMA 5-15 SCREW TYPE BASE CONNECTOR CABLE MOUNTED
• DMX CONNECTORS: 3 OR 5-PIN XLR CONNECTORS IN AND OUT
• POWER SUPPLY: UNIVERSAL 100V-240V 50/60HZ
• POWER CONSUMPTION: 50 WATTS | .71 AMPS

RIGGING:

• INSTALLATION SYSTEM: SINGLE MOUNTING YOKE

ORDERING INFO:

• DRAMA LED W50

INCLUDED ITEMS:

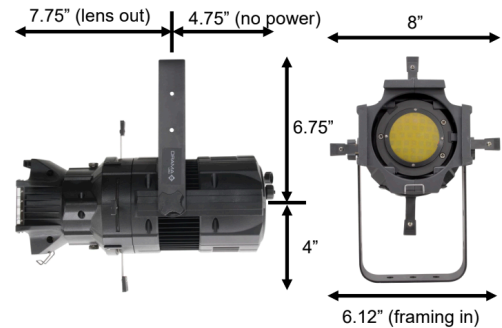
• BARN DOOR: 7055-BD
• POWER CABLE: 7050-PCAB
• GEL HOLDER: 7050-GEHOL

PART NUMBER:

7050

DIMENSIONS:

• FIXTURE SIZE: 12.5" X 6.33" X 5"
• FIXTURE WEIGHT: 3.75 lb (1.70 kg)
• PACKAGED SIZE: 15" X 8" X 8"
• PACKAGED WEIGHT: 6 lb (2.72 kg)



*SPECIFICATIONS SUBJECT TO CHANGE