

MEGA LITE[®]

M-SPHERE

Product Description:

The M-sphere: our advanced moving head mirror fixture, featuring a flat beam reflecting mirror on one side and a rotating half mirror ball on the other. This combination, along with its continuous rotation capability, produces a multitude of unique lighting effects.

Beam Reflecting Mirror Side

On one side of our moving head, we have a flat mirror face perfect for reflecting beams, creating a bouncing light beam effect.

Large Hex Mirrors Side

On the other side is a rotating half sphere covered in 101 large hex mirrors, which, when hit by beams, create a uniquely controllable mirror ball effect.

Pixable Ring

This unit also offers an eye-catching pixable ring light, making this already unique fixture even more exceptional.



Mechanical Specifications

Housing:	High Temp, Low flammability, Plastic
Fastening System:	2 Quick Release Clamp Mounts
Power Connection:	Input: Seetronics SAC3MPX Output: Seetronics SAC3FX Cable: Seetronics SAC3FX to Nema 5/15
Signal Connection:	3 and 5 Pin XLR In and Out
Pan Movement:	560 Degree Pan with Infinity Pan Rotation
Tilt Movement:	360 Degree Tilt with Infinity Tilt Rotation
Mirror Ball Rotation:	Infinity Mirror Ball Rotation in 2 directions,
Large Hexagon Reflectors:	101 Large Hexagon high polished metal reflectors
Large Mirror:	13" high polished metal reflector
Power Link:	60 units@110V 20 Amps

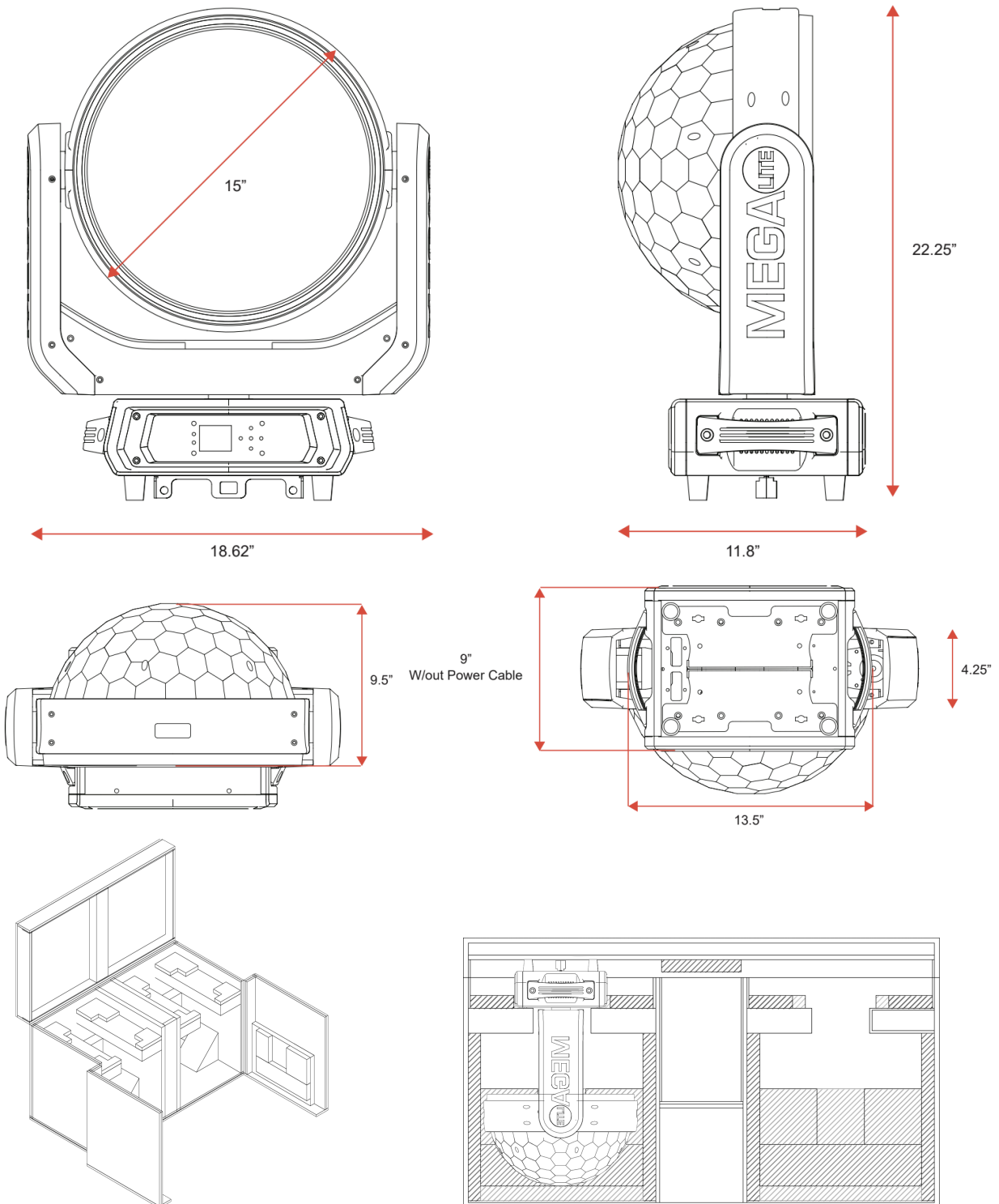
Electrical Specifications

Light Source:	62 X .25W RGB
Signal Support:	DMX 512, RDM
Power:	Electronic 100-240V AC 50/60
Power Consumption:	28 Watts / .25 Amps @110V

Control System

Protocol:	DMX 512
Channel Modes:	18 Channel Mode 66 Channel Mode W/pixel control
Operating Mode:	Programmable single scene via manual memory settings Settings Via Display

Size and Weight



Fixture Size:

18.62" X 11.8" X 22.25"

Fixture Weight:

37lb

Packaged Size:

22" X 19.25" X 21"

Packaged Weight:

44lb

Included Items

M-Sphere	1225
Power cable	
Quick release clamps	

Accessories:

M-Sphere Road Case	CAS-1225-2-B
--------------------	--------------

Customer Service

MEGA-Lite has a customer support line to provide set-up help and answer any questions should you encounter a problem. Please visit our website for any other related technical documents. For service-related issues, please contact our service department at **service@mega.lighting**

Operating Hours:	Monday - Friday 9AM - 6PM CST
Phone:	(210) 684-2600
Email:	Sales@mega.lighting



18662 Bandera Rd
Helotes, TX 78023
Phone (210)684-2600 / Fax (210)855-6279
www.mega.lighting / info@mega.lighting