

MEGA^{LITE}

EB1

**Product Description:**

The EB1 is powered by a 200W LED. It offers a large aperture and 14 bidirectional colors + open, which can produce bright colorful beam combinations.

The 1° angle creates eye-catching beams, ideal for medium to large applications. In addition, the EB-1 has a Pixelable ring with 48 SMD LEDs grouped into 16 RGB pixels of control that add a unique matrix effect. The pixels can be mapped, or you can select from pre-created macros and speeds depending on your fixture profile.

With a compact and lightweight design, the EB1 offers multiple features that allow lighting designers to expand their creativity. It includes 12 fixed + open static gobos and an 8-facet indexing prism that further enhances the beam and gobo effects. It also offers a 0.3-20 per second strobe, one frost filter, and linear focus to create a soft or sharp projection. The EB1 is a pixelable wash beam that is part of the E series.

Large LED Aperture

The EB1 features a 5 1/2" aperture, allowing for a large beam 1° collimated beam.

Pixelable Ring

Pixelable ring with 48 SMD LEDs grouped into 16 RGB pixels of control that add a unique matrix effect.

Feature name

Although compact and lightweight, the unit includes 4 bidirectional colors open, 12 fixed + open static gobos, and an 8-facet indexing prism. In addition, it has a 0.3-20 per second strobe, one frost filter, and linear focus to create a soft or sharp projection.

Mechanical Specifications

Power Connection:	PowerCon Type In & Out
Signal Connection:	3 & 5 Pin XLR Connectors
Pan Movement:	540° (16 BIT, 3 Phase Stepper Motor)
Tilt Movement:	270° (16 BIT, 3 Phase Stepper Motor)
Frost:	1 Frost filter
Focus:	Linear focus
Pixable Ring:	16 Pixels Of Control
Color Wheel:	14 Colors + open, bi-direction
Static Gobo:	12 Fixed + Open
Prism:	8 Facet indexing prism
Lens Angle:	1°
Installation System:	Bi directional quick release clamp mount

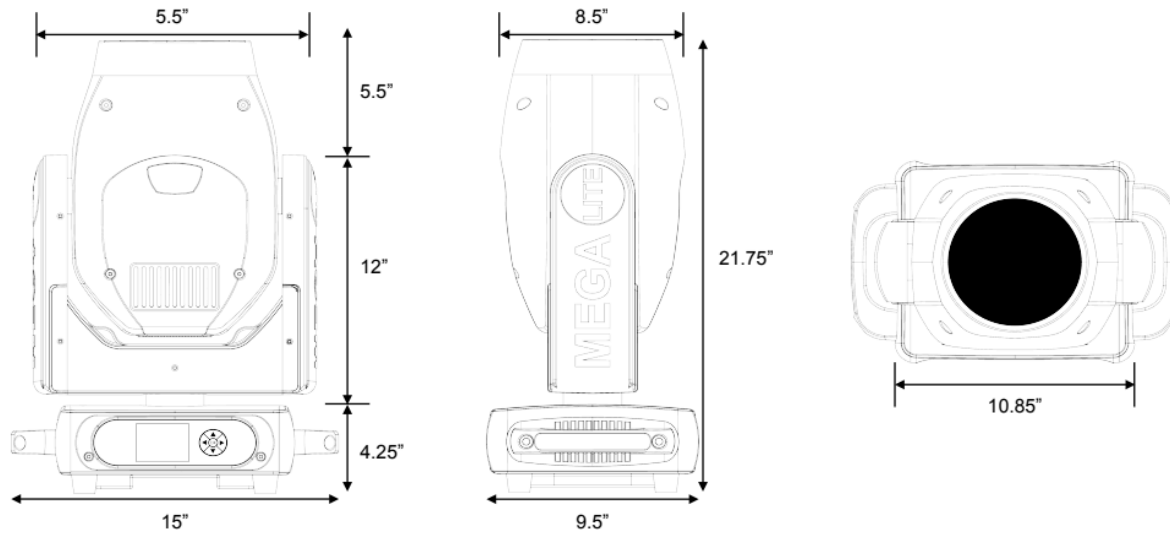
Electrical Specifications

Light Source:	One 200W LED 48 SMD 3535 LEDs (16 pixels)
Color Temperature:	8313K
CRI (Warm White):	71
Lumen Output:	3963 Lm
Power Supply:	Electronic 100-240V AC 50/60
Power Consumption:	295 Watts 2.48 Amps @110V

Control System

Control Protocols:	DMX 512
RDM:	Yes/No
Channel Modes:	2 Modes of operation Mode 1: 22 Channel Mode Mode 2: 70 Channel Mode
Display:	LCD Display

Size and Weight



Fixture Size:
Fixture Weight:
Packaged Size:
Packaged Weight:

15" X 9.5" X 21.75"
35lb (15.87 kg)
24.75" X 18.5" X 13"
38lb (17.24 kg)

Included Items

EB1 1230

Accessories:

4 UNIT ROAD CASE CAS-1181-2

Customer Service

MEGA-Lite has a customer support line to provide set-up help and answer any questions should you encounter a problem. Please visit our website for any other related technical documents. For service-related issues, please contact our service department at service@mega.lighting

Operating Hours:
Phone:
Email:

Monday - Friday 9 AM - 6 PM CST
(210) 684-2600
Sales@mega.lighting

MEGA^{LITE}®

18668 Bandera RD
Helotes, TX 78023
Phone (210)684-2600 / Fax (210)855-6279
www.mega.lighting / info@mega.lighting