

MEGA LITE® outshine PIXEL STRIP Q360



Product Description:

The OUTSHINE PIXEL STRIP Q360 has 18 pixels, each powered by a Tetra-colored LED that uses Red, Green, Blue, and Warm White emitters in each pixel, covering 17° beam angle and 29° field angle per pixel. Create great beam coverage when uplighting walls, or I can pixel map your set. Add the included Diffuser and get a 109° beam angle and 157° field angle, great for washing catwalks. Or use your diffusers to get the perfect spread. It includes a fixture-to-fixture proprietary alignment system that gives you a continuous pixel look without losing any spacing between pixels. As an IP 65 unit, it is protected against inclement weather, making it ideal for temporary outdoor applications. Its adjustable mounting base makes it perfect when mounting between truss crossbeams, taking into account features requested by our industry friends.

Quad 20W LEDs Red, Green, Blue, and WW

The Outshine Pixel Strip Q360 is equipped to deliver a vibrant and versatile color mixing with dynamic lighting effects.

Outdoor use IP65

This fixture is designed to be resistant to dust and water, making it perfect for any weather conditions.

Adjustable Slide Mount

This feature offers an adaptable and safe installation to ensure optimal positioning and alignment in any application.

Mechanical Specifications

IP Rating:	IP65
Housing:	Extruded and cast aluminum
Power Connection:	Seetronics SAC3MPX Input (Nema 5-15 to SAC3FX-65 cable included)
Signal Connection:	5 Pin XLR In and Out
Lens Angle:	Nominal Beam Angle 17° Nominal Field Angle 29°
Diffusion Angle:	Nominal Beam Angle 109° Nominal Field Angle 157°
Fastening System:	Slide adjusting mounting stands and clamp mounts

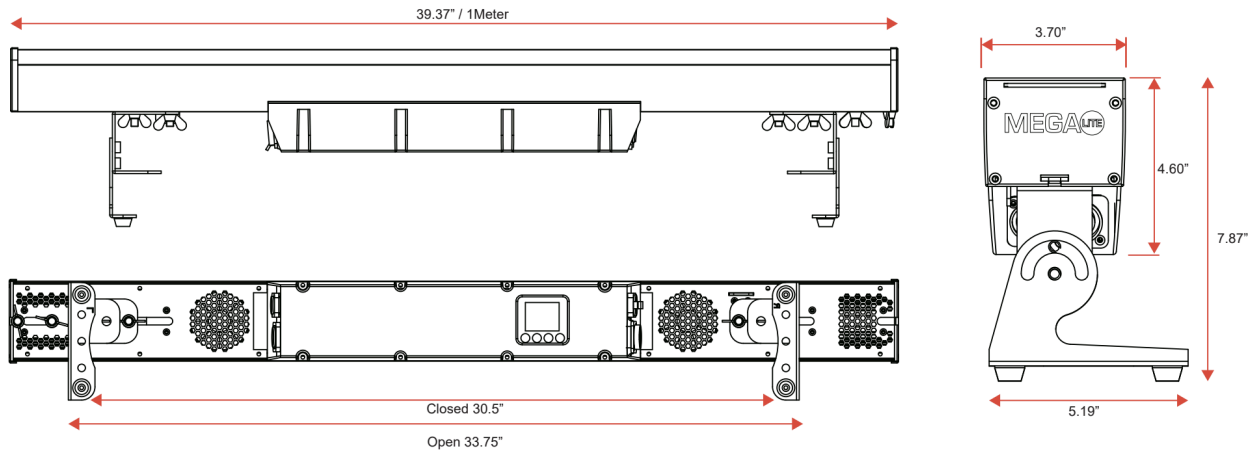
Electrical Specifications

Light Source:	18 X 20W RGBWW LEDs
Color Temperature (Warm White):	3029K
CRI (Warm White):	80
Lumen Output (Single LED):	Standard 346 Lm With Diffuser 200 Lm
Power Supply:	Electronic 90-264V AC 50/60
Power Consumption:	293 Watts 2.51 Amps @110V
Power Link:	6 Units max @110V 15 Amp circuit

Control System

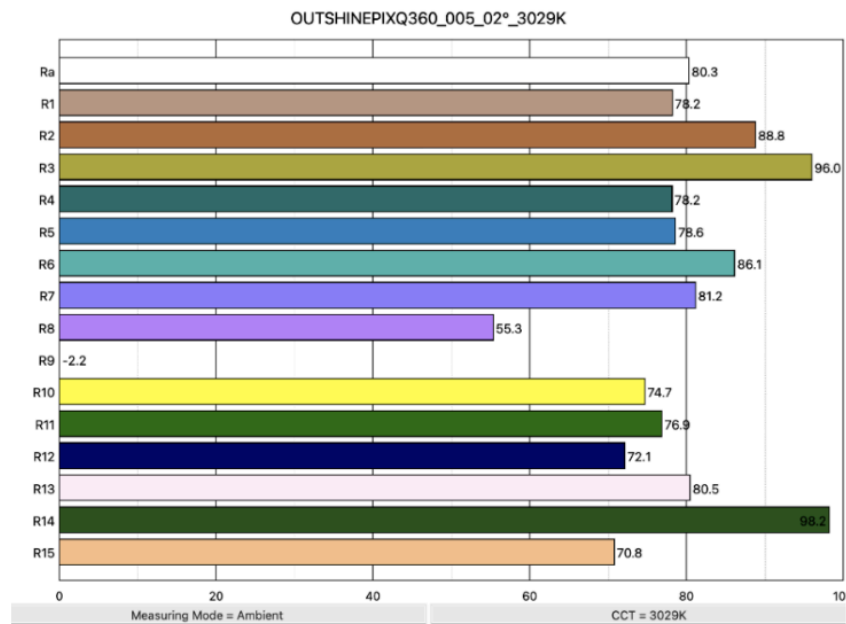
Control Protocols:	DMX 512
RDM:	DMX Address, Channel Mode, Temperature Sensor, Device Hours
Channel Modes:	5 Modes of Operation Mode 1: 4 Channel mode Mode 2: 10 Channel mode Mode 3: 24 Channel mode Mode 4: 72 Channel mode Mode 5: 82 Channel mode
Display:	LCD

Size and Weight



Fixture Size:	39.37" X 5.19" X 7.87" (1m x 13.18cm x 19.98cm)
Fixture Weight:	19lb 12oz
Packaged Size:	41.5" X 6.75" X 8.5"
Packaged Weight:	20lbs

Color Rendering



Included Items

Power Cable
Diffusion Filter
Manual

Customer Service

MEGA-Lite has a customer support line to provide set-up help and answer any questions should you encounter a problem. Please visit our website for any other related technical documents. For service-related issues, please contact our service department at **service@mega.lighting**

Operating Hours:
Phone:
Email:

Monday - Friday 9AM - 6PM CST
(210) 684-2600
Sales@mega.lighting



18668 Highway 16N
Helotes, TX 78023
Phone (210)684-2600 / Fax (210)855-6279
www.mega.lighting / info@mega.lighting