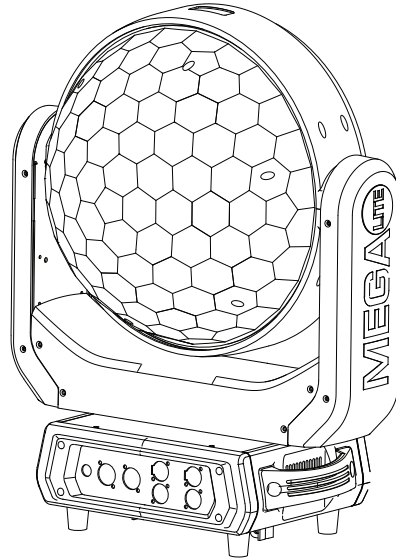


# MEGA<sup>®</sup>LITE

# M-SPHERE



## USER MANUAL

### Table of Contents

|                       |    |
|-----------------------|----|
| Safety Information    | 2  |
| What's Included       | 2  |
| Specifications        | 3  |
| Main Power Connection | 4  |
| DMX Connection        | 4  |
| Display Settings      | 5  |
| DMX Profile           | 8  |
| Size And Weight       | 11 |
| Segment               | 12 |
| Installation          | 12 |
| Warranty              | 13 |
| Customer Service      | 14 |

**Check that the unit has not been damaged during transport.**



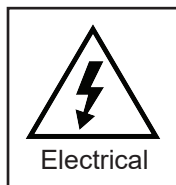
Read all cautions and warnings  
prior to operation of this  
equipment

### Protection Against Fire



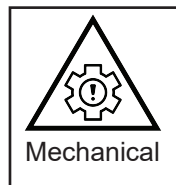
1. Maintain a minimum of 1 foot distance from any type of flame.
2. Fixture is NOT designed outdoor use.
3. Do not install the unit too close to a heat source.
4. Make sure cables are properly secured.
5. Maximum surface operating temperature: 200°.
6. Fixture should not be exposed to direct beam light for long periods of time.

### Protection Against Electrical Fire



1. Disconnect power before servicing.
2. For connection to main power supply, proceed to page 4.
3. The power supply must be earthed (electronically grounded).
4. This fixture must not be left on for long periods of time.

### Protection Against Mechanical Hazards



1. Use secondary safety chain when hanging unit.
2. Use quality clamps or bolts when positioning unit.
3. Do not open unit while it is on. Risk of electrical shock.

### What is Included

1pc M Sphere fixture  
1pc Power Cable  
2pc Quick Release Clamp Mount  
1pc 1pc User Manual

# Specifications

---

## Part Numbers

---

### Fixture ID

1225=M Sphere

CAS-1225-2-B= Dual Road Case

## Mechanical Specifications

---

|                              |   |
|------------------------------|---|
| <b>Housing:</b>              | High Temp, Low flammability, Plastic  |
| <b>Mounting System:</b>      | 2 Quick Release Clamp Mounts  |
| <b>Power Connection:</b>     | <b>Input:</b> Seetronics SAC3MPX<br><b>Output:</b> Seetronics SAC3FX<br>Cable: Seetronics SAC3FX to Nema 5/15 |
| <b>Signal Connection:</b>    | 3 and 5 Pin XLR In and Out  |
| <b>Tilt:</b>                 | 360 Degree Tilt with Infinity Tilt Rotation   |
| <b>Pan:</b>                  | 560 Degree Pan with Infinity Pan Rotation   |
| <b>Mirror Ball Rotation:</b> | Infinity Mirror Ball Rotation in 2 directions, high polished metal reflector                                  |
| <b>Large Mirror:</b>         | 13" high polished metal reflector   |
| <b>Weight:</b>               | 37 lb   |
| <b>Size:</b>                 | 18.62" X 11.8" X 22.25"   |

## Electrical Specifications

---

|                           |                              |
|---------------------------|------------------------------|
| <b>Light Source:</b>      | 62 X .5W RGB                 |
| <b>Signal Support:</b>    | DMX 512, RDM                 |
| <b>Power:</b>             | Electronic 100-240V AC 50/60 |
| <b>Power Consumption:</b> | 28 Watts<br>.25 Amps @110V   |

## Control & Programming

---

|                        |  |
|------------------------|--|
| <b>Protocol:</b>       | DMX 512  |
| <b>RDM:</b>            | Yes, Address, Channel Mode, Pan Invert, Tilt Invert  |
| <b>DMX 2 Modes:</b>    | 18 Channel Mode: Pan, Pan Fine, Infinite Pan, Tilt, Tilt Fine, Infinite Tilt, Pan-Tilt Speed, Mirror Ball Rotation, Ring Dimmer, R,G,B, Strobe, Ring Shutter Macro, Ring Macro Speed, Ring Color Effect, Ring Color Effect Speed, Control<br>66 Channel Mode: Pan, Pan Fine, Infinite Pan, Tilt, Tilt Fine, Infinite Tilt, Pan-Tilt Speed, Mirror Ball Rotation, Ring Dimmer, R,G,B, Strobe, Ring Shutter Macro, Ring Macro Speed, Ring Color Effect, Ring Color Effect Speed, 16 x RGB, Control |
| <b>Operating Mode:</b> | Manual Settings Via Display  |

## Main Power Connection

### Caution!

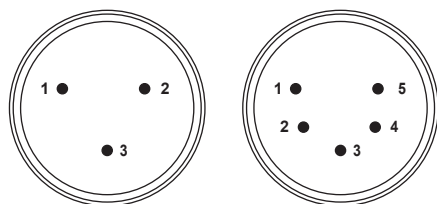
1. Do not connect fixture to a dimmer system.
2. This unit must be earthed. (Electronically grounded)
3. Replace fuse only with the specified type and rating. (F5AL250V)
4. This device is equipped with auto switching power supply that will allow the fixture to work from 100-240V AC 50/60Hz
5. This device can power link 60 units on 110 power.

| Cable USA | Cable EU       | 110V    | 220V   |
|-----------|----------------|---------|--------|
| Black     | Brown          | Live    | Live   |
| White     | Light Blue     | Neutral | Live   |
| Green     | Yellow / Green | Ground  | Ground |

## DMX-512 Connection

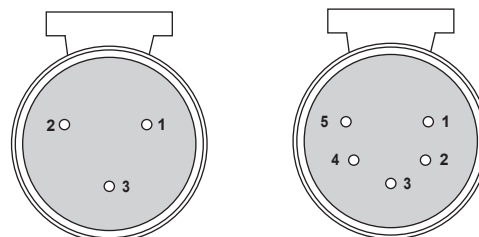
The fixture is equipped with 3 and 5 pin XLR Sockets for DMX input and output connection. The sockets are wired in parallel. Only use a shielded twisted pair cable designed for RS-485 and 3 or 5 pin XLR plugs and connectors in order to connect the controller with the fixture or the fixture with another.

### DMX - Input



|                 |
|-----------------|
| 1. Shield (Grd) |
| 2. Signal (-)   |
| 3. Signal (+)   |
| N/A             |
| N/A             |

### DMX - Output

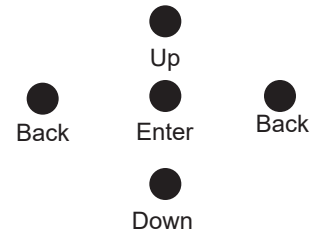
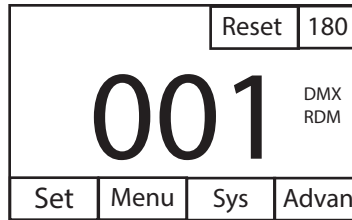


### Caution!

On the last fixture the DMX signal needs to be terminated with a terminator. Pre-manufactured terminator are available for purchase from your Mega-Lite dealer item #P-DMX-T.

# Display Control

The control board on the fixture base is your interface to access and control all the functions on the unit. It's LCD display gives you a code view of the options and functions. The following will explain each function.



Reset 180

001

DMX  
RDM

Set
Menu
Sys
Advan

**Settings:** Settings menu allows you to customize the fixture operational functions

▶ Set

|                  |      |
|------------------|------|
| DMX Address      | 001  |
| Run Mode         | DMX  |
| Channel Mode     | 17CH |
| Invert Pan       | OFF  |
| Invert Tilt      | OFF  |
| Pan-Tilt Swap    | OFF  |
| Pan-Tilt Encoder | OFF  |
| No DMX Signal    | KEEP |
| Display          | OFF  |
| Load Default     | ▶    |

**DMX Address:** Press **OK** to view the fixture start channel. Press **OK** again to make adjustment to the fixture address from 001 to 512 using the **up/down** buttons. By pressing **left** or **right** fixture will increments start channel by channel mode setting. Press **OK** to confirm or **Back** to go back. The fixtures start address will need to match the DMX Controller assigned DMX start channel.

**Run Mode:** Allows you to select operational mode from DMX, Auto , Sound and Random options

**Channel Mode:** Will give you the option of operational DMX profile use.

**18 Channel Mode:** Pan, Pan Fine, Infinite Pan, Tilt, Tilt Fine, Infinite Tilt, Pan-Tilt Speed, Mirror Ball Rotation, Rind Dimmer, R,G,B, Strobe, Ring Shutter Macro, Ring Macro Speed, Ring Color Effect, Ring Color Effect Speed, Control

**66 Channel Mode:** Pan, Pan Fine, Infinite Pan, Tilt, Tilt Fine, Infinite Tilt, Pan-Tilt Speed, Mirror Ball Rotation, Rind Dimmer, R,G,B, Strobe, Ring Shutter Macro, Ring Macro Speed, Ring Color Effect, Ring Color Effect Speed, RGB X 16, Control

**Invert Pan:** Inverts Pan position from 0-255 to 255-0

**Invert Tilt:** Inverts Tilt position from 0-255 to 255-0

**Pan-Tilt Swap:** Swaps the Pan and Tilt Channel Position

**Pan-Tilt Encoder:** Tun on or off the Pan and Tilt Encoder. If in the off Position you can manually reposition the fixture.

**No DMX Signal:** If DMX Signal is lost=Keep option will hold the last dmx command. Clear will turn all channels to off position

**Display:**      **On:** option will turn display off after no use for 45 seconds  
                      **Off:** will leave display on

**Load Default:**   **OK:** Will load original factory setting  
                          **Cancel:** will return you to original menu

|     |            |     |   |
|-----|------------|-----|---|
|     | Reset      | 180 |   |
| 001 | DMX<br>RDM |     | <b>Manual:</b> Gives you operational control over the fixture via display |
| Set | Menu       | Sys | Advan   |

|                       |     |
|-----------------------|-----|
| ▶ Menu                |     |
| 1 Pan                 | 255 |
| 2 Pan Fine            | 127 |
| 3 Pan Rotation        | 000 |
| 4 Tilt                | 255 |
| 5 Tilt Fine           | 127 |
| 6 Tilt Rotation       | 000 |
| 7 Pan-Tilt Speed      | 000 |
| 8 Rotation            | 000 |
| 9 Effect Dimmer       | 255 |
| 10 Red                | 255 |
| 11 Green              | 255 |
| 12 Blue               | 255 |
| 13 Shutter/Strobe     | 000 |
| 14 Effect             | 000 |
| 15 Effect Speed       | 000 |
| 16 Color Effect       | 000 |
| 17 Color Effect Speed | 000 |
| 18 Reset              | 000 |

**Manual:** Select the Channel you wish to adjust. Us the up/down button to select the function setting from 0-255.

|     |            |     |   |
|-----|------------|-----|---|
|     | Reset      | 180 |   |
| 001 | DMX<br>RDM |     | <b>System:</b> Allows you to see the fixtures operational status. |
| Set | Menu       | Sys | Advan   |

|                      |             |
|----------------------|-------------|
| ▶ System             |             |
| DMX Monitor          | ▶           |
| System Errors        | ▶           |
| Motion Fixture Hours | 00000:01    |
| LED Hours            | 00000:00    |
| Total Fixture Hours  | 00000:48    |
| Date:                | Mar 16 2024 |
| Time:                | 09:17:44    |

**System:** Fixtures bio's

|       |      |            |  |
|-------|------|------------|--|
| Reset |      | 180        | <b>Advance:</b> Advance Factory Settings, please reach out to customer service for more information. |
| 001   |      | DMX<br>RDM |  |
| Set   | Menu | Sys        | Advan  |

|       |      |            |                            |
|-------|------|------------|----------------------------|
| Reset |      | 180        | <b>180:</b> Invert Display |
| 001   |      | DMX<br>RDM |                            |
| Set   | Menu | Sys        | Advan                      |

|       |      |            |                                     |
|-------|------|------------|-------------------------------------|
| Reset |      | 180        | <b>Reset:</b> Reset Motor Functions |
| 001   |      | DMX<br>RDM |                                     |
| Set   | Menu | Sys        | Advan                               |

# DMX Profile

## M Sphere 18 Channel Mode

| 18Ch | Function  | Description   | Value   | Init |
|------|---|---|---------|------|
| 1    | Pan   | Pan   | 0-255   | 127  |
| 2    | Pan Fine  | Pan Fine  | 0-255   | 127  |
| 3    | Infinity Pan  | No Function   | 0-7     | 0    |
|      |   | Clockwise Pan Rotation (fast to slow)                 | 8-125   |      |
|      |   | Rotation Stop   | 126-128 |      |
|      |   | Counter Clockwise Pan Rotation (slow to fast)         | 128-255 |      |
| 4    | Tilt  | Tilt  | 0-255   | 127  |
| 5    | Tilt Fine   | Tilt Fine   | 0-255   | 127  |
| 6    | Infinity Tilt   | No Function   | 0-5     | 0    |
|      |   | Clockwise Tilt Rotation (fast to slow)                | 6-125   |      |
|      |   | Rotation Stop   | 126-128 |      |
|      |   | Counter Clockwise Tilt Rotation (slow to fast)        | 128-255 |      |
| 7    | Pan Tilt Speed  | Pan & Tilt Speed (fast to slow)                       | 0-255   | 0    |
| 8    | Mirror Ball<br>Rotation                                 | No Function   | 0-7     | 0    |
|      |   | Mirror Ball Clockwise Rotation (fast to slow)         | 8-127   |      |
|      |   | Mirror Ball Counter Clockwise Rotation (slow to fast) | 128-255 |      |
| 9    | Ring Dimmer   | Ring Dimmer   | 0-255   | 255  |
| 10   | Ring Color  | Red   | 0-255   | 255  |
| 11   | Ring Color  | Green   | 0-255   | 255  |
| 12   | Ring Color  | Blue  | 0-255   | 255  |
| 13   | Strobe<br>(Ring Color<br>must be activated)             | No Function   | 0-5     | 0    |
|      |   | Strobe (slow to fast)                                 | 6-125   |      |
|      |   | Random Strobe (slow to fast)                          | 126-128 |      |
|      |   | Random Strobe Each Pixel (slow to fast)               | 128-255 |      |
| 14   | Ring Shutter Macro<br>(Ring Color<br>Must be Activated) | No Function   | 0-9     | 0    |
|      |   | Macro Effect 1  | 10-24   |      |
|      |   | Macro Effect 2  | 25-39   |      |
|      |   | Macro Effect 3  | 40-54   |      |
|      |   | Macro Effect 4  | 55-69   |      |
|      |   | Macro Effect 5  | 70-84   |      |
|      |   | Macro Effect 6  | 85-99   |      |
|      |   | Macro Effect 7  | 100-114 |      |
|      |   | Macro Effect 8  | 115-129 |      |
|      |   | Macro Effect 9  | 130-149 |      |
|      |   | Macro Effect 10                                       | 150-164 |      |
|      |   | Macro Effect 11                                       | 165-179 |      |
|      |   | Macro Effect 12                                       | 180-194 |      |
|      |   | Macro Effect 13                                       | 195-209 |      |
|      |   | Macro Effect 14                                       | 210-224 |      |
|      |   | Macro Effect 15                                       | 225-239 |      |
|      |   | Macro Effect 16                                       | 240-255 |      |
| 15   | Ring Macro Speed  | Macro Forward Speed (fast to slow)                    | 0-127   | 0    |
|      |   | Macro Reverse Speed (slow to fast)                    | 128-255 |      |
| 16   | Ring Color Effect                                       | No Function   | 0-9     | 0    |
|      |   | Effect 1  | 10-24   |      |
|      |   | Effect 2  | 25-39   |      |
|      |   | Effect 3  | 40-54   |      |
|      |   | Effect 4  | 55-69   |      |
|      |   | Effect 5  | 70-84   |      |
|      |   | Effect 6  | 85-99   |      |
|      |   | Effect 7  | 100-114 |      |
|      |   | Effect 8  | 115-129 |      |
|      |   | Effect 9  | 130-149 |      |
|      |   | Effect 10   | 150-164 |      |
|      |   | Effect 11   | 165-179 |      |
|      |   | Effect 12   | 180-194 |      |
|      |   | Effect 13   | 195-209 |      |
|      |   | Effect 14   | 210-224 |      |
|      |   | Color Fade  | 225-239 |      |
|      |   | Color Snap  | 240-255 |      |
| 17   | Ring Macro Speed  | Color Forward Speed (fast to slow)                    | 0-127   | 0    |
|      |   | Color Reverse Speed (slow to fast)                    | 128-255 |      |
| 18   | Control   | No Function   | 0-240   |      |
|      |   | All Motor Reset (Hold for 5 Seconds)                  | 241-255 |      |



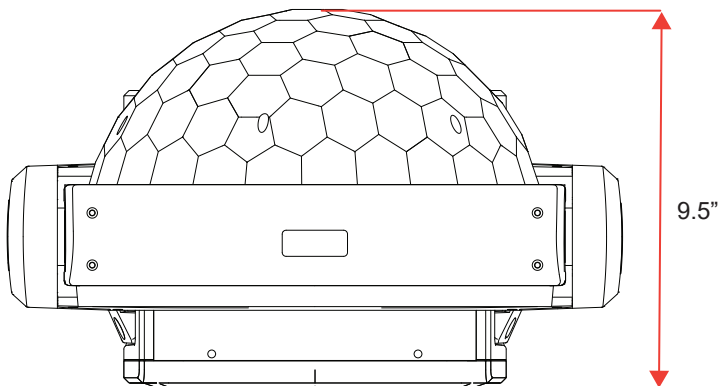
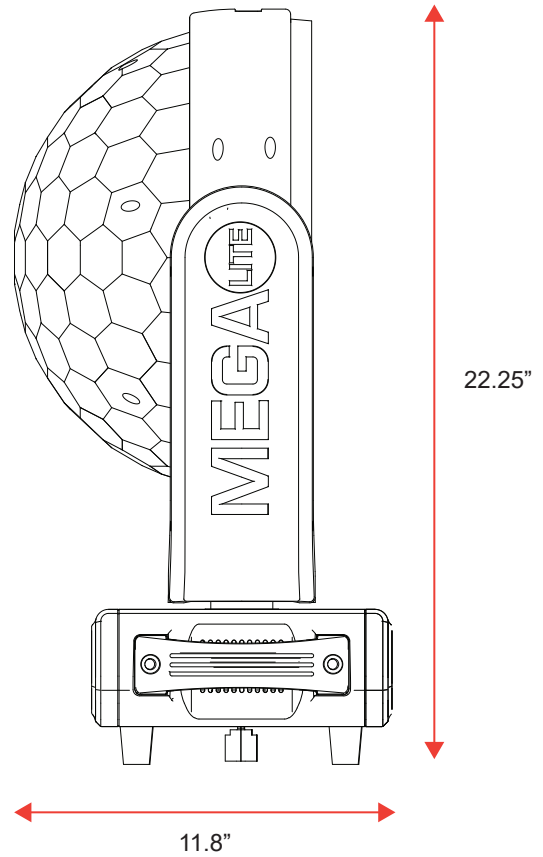
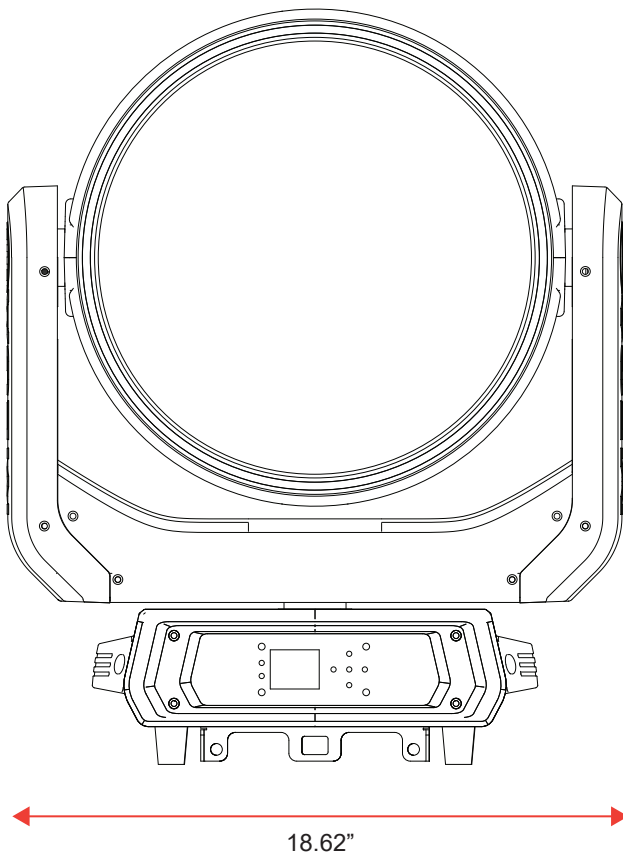
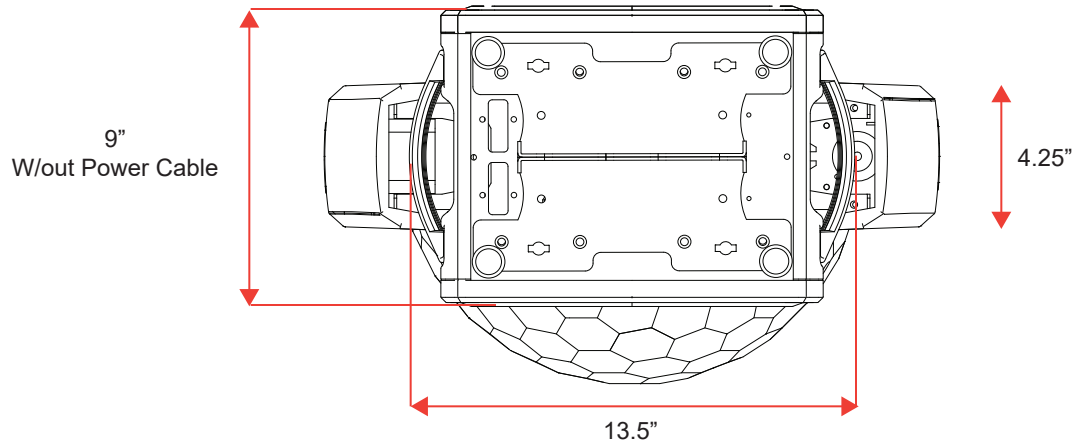
# DMX Profile

| M Sphere 66 Channel Mode |   |   |         |     |
|--------------------------|---|---|---------|-----|
| 1                        | Pan   | Pan   | 0-255   | 127 |
| 2                        | Pan Fine  | Pan Fine  | 0-255   | 127 |
| 3                        | Infinity Pan  | No Function   | 0-7     |     |
|                          |   | Clockwise Pan Rotation (fast to slow)                 | 8-125   | 0   |
|                          |   | Rotation Stop   | 126-128 |     |
|                          |   | Counter Clockwise Pan Rotation (slow to fast)         | 128-255 |     |
| 4                        | Tilt  | Tilt  | 0-255   | 127 |
| 5                        | Tilt Fine   | Tilt Fine   | 0-255   | 127 |
| 6                        | Infinity Tilt   | No Function   | 0-5     |     |
|                          |   | Clockwise Tilt Rotation (fast to slow)                | 6-125   | 0   |
|                          |   | Rotation Stop   | 126-128 |     |
|                          |   | Counter Clockwise Tilt Rotation (slow to fast)        | 128-255 |     |
| 7                        | Pan Tilt Speed  | Pan & Tilt Speed (fast to slow)                       | 0-255   | 0   |
| 8                        | Mirror Ball<br>Rotation                                 | No Function   | 0-7     |     |
|                          |   | Mirror Ball Clockwise Rotation (fast to slow)         | 8-127   | 0   |
|                          |   | Mirror Ball Counter Clockwise Rotation (slow to fast) | 128-255 |     |
| 9                        | Ring Dimmer   | Ring Dimmer   | 0-255   | 255 |
| 10                       | Ring Color  | Red   | 0-255   | 255 |
| 11                       | Ring Color  | Green   | 0-255   | 255 |
| 12                       | Ring Color  | Blue  | 0-255   | 255 |
| 13                       | Strobe<br>(Ring Color<br>must be activated)             | No Function   | 0-5     |     |
|                          |   | Strobe (slow to fast)                                 | 6-125   | 0   |
|                          |   | Random Strobe (slow to fast)                          | 126-128 |     |
|                          |   | Random Strobe Each Pixel (slow to fast)               | 128-255 |     |
| 14                       | Ring Shutter Macro<br>(Ring Color<br>Must be Activated) | No Function   | 0-9     |     |
|                          |   | Macro Effect 1  | 10-24   |     |
|                          |   | Macro Effect 2  | 25-39   |     |
|                          |   | Macro Effect 3  | 40-54   |     |
|                          |   | Macro Effect 4  | 55-69   |     |
|                          |   | Macro Effect 5  | 70-84   |     |
|                          |   | Macro Effect 6  | 85-99   |     |
|                          |   | Macro Effect 7  | 100-114 | 0   |
|                          |   | Macro Effect 8  | 115-129 |     |
|                          |   | Macro Effect 9  | 130-149 |     |
|                          |   | Macro Effect 10                                       | 150-164 |     |
|                          |   | Macro Effect 11                                       | 165-179 |     |
|                          |   | Macro Effect 12                                       | 180-194 |     |
|                          |   | Macro Effect 13                                       | 195-209 |     |
|                          |   | Macro Effect 14                                       | 210-224 |     |
|                          |   | Macro Effect 15                                       | 225-239 |     |
|                          |   | Macro Effect 16                                       | 240-255 |     |
| 15                       | Ring Macro Speed  | Macro Forward Speed (fast to slow)                    | 0-127   | 0   |
|                          |   | Macro Reverse Speed (slow to fast)                    | 128-255 |     |
| 16                       | Ring Color Effect                                       | No Function   | 0-9     |     |
|                          |   | Effect 1  | 10-24   |     |
|                          |   | Effect 2  | 25-39   |     |
|                          |   | Effect 3  | 40-54   |     |
|                          |   | Effect 4  | 55-69   |     |
|                          |   | Effect 5  | 70-84   |     |
|                          |   | Effect 6  | 85-99   |     |
|                          |   | Effect 7  | 100-114 |     |
|                          |   | Effect 8  | 115-129 | 0   |
|                          |   | Effect 9  | 130-149 |     |
|                          |   | Effect 10   | 150-164 |     |
|                          |   | Effect 11   | 165-179 |     |
|                          |   | Effect 12   | 180-194 |     |
|                          |   | Effect 13   | 195-209 |     |
|                          |   | Effect 14   | 210-224 |     |
|                          |   | Color Fade  | 225-239 |     |
|                          |   | Color Snap  | 240-255 |     |
| 17                       | Ring Macro Speed  | Color Forward Speed (fast to slow)                    | 0-127   | 0   |
|                          |   | Color Reverse Speed (slow to fast)                    | 128-255 |     |

# DMX Profile

|    |              |                                      |         |   |
|----|--------------|--------------------------------------|---------|---|
| 18 | Ring Segment | Red Segment 1                        | 0-255   | 0 |
| 19 | Ring Segment | Green Segment 1                      | 0-255   | 0 |
| 20 | Ring Segment | Blue Segment 1                       | 0-255   | 0 |
| 21 | Ring Segment | Red Segment 2                        | 0-255   | 0 |
| 22 | Ring Segment | Green Segment 2                      | 0-255   | 0 |
| 23 | Ring Segment | Blue Segment 2                       | 0-255   | 0 |
| 24 | Ring Segment | Red Segment 3                        | 0-255   | 0 |
| 25 | Ring Segment | Green Segment 3                      | 0-255   | 0 |
| 26 | Ring Segment | Blue Segment 3                       | 0-255   | 0 |
| 27 | Ring Segment | Red Segment 4                        | 0-255   | 0 |
| 28 | Ring Segment | Green Segment 4                      | 0-255   | 0 |
| 29 | Ring Segment | Blue Segment 4                       | 0-255   | 0 |
| 30 | Ring Segment | Red Segment 5                        | 0-255   | 0 |
| 31 | Ring Segment | Green Segment 5                      | 0-255   | 0 |
| 32 | Ring Segment | Blue Segment 5                       | 0-255   | 0 |
| 33 | Ring Segment | Red Segment 6                        | 0-255   | 0 |
| 34 | Ring Segment | Green Segment 6                      | 0-255   | 0 |
| 35 | Ring Segment | Blue Segment 6                       | 0-255   | 0 |
| 36 | Ring Segment | Red Segment 7                        | 0-255   | 0 |
| 37 | Ring Segment | Green Segment 7                      | 0-255   | 0 |
| 38 | Ring Segment | Blue Segment 7                       | 0-255   | 0 |
| 39 | Ring Segment | Red Segment 8                        | 0-255   | 0 |
| 40 | Ring Segment | Green Segment 8                      | 0-255   | 0 |
| 41 | Ring Segment | Blue Segment 8                       | 0-255   | 0 |
| 42 | Ring Segment | Red Segment 9                        | 0-255   | 0 |
| 43 | Ring Segment | Green Segment 9                      | 0-255   | 0 |
| 44 | Ring Segment | Blue Segment 9                       | 0-255   | 0 |
| 45 | Ring Segment | Red Segment 10                       | 0-255   | 0 |
| 46 | Ring Segment | Green Segment 10                     | 0-255   | 0 |
| 47 | Ring Segment | Blue Segment 10                      | 0-255   | 0 |
| 48 | Ring Segment | Red Segment 11                       | 0-255   | 0 |
| 49 | Ring Segment | Green Segment 11                     | 0-255   | 0 |
| 50 | Ring Segment | Blue Segment 11                      | 0-255   | 0 |
| 51 | Ring Segment | Red Segment 12                       | 0-255   | 0 |
| 52 | Ring Segment | Green Segment 12                     | 0-255   | 0 |
| 53 | Ring Segment | Blue Segment 12                      | 0-255   | 0 |
| 54 | Ring Segment | Red Segment 13                       | 0-255   | 0 |
| 55 | Ring Segment | Green Segment 13                     | 0-255   | 0 |
| 56 | Ring Segment | Blue Segment 13                      | 0-255   | 0 |
| 57 | Ring Segment | Red Segment 14                       | 0-255   | 0 |
| 58 | Ring Segment | Green Segment 14                     | 0-255   | 0 |
| 59 | Ring Segment | Blue Segment 14                      | 0-255   | 0 |
| 60 | Ring Segment | Red Segment 15                       | 0-255   | 0 |
| 61 | Ring Segment | Green Segment 15                     | 0-255   | 0 |
| 62 | Ring Segment | Blue Segment 15                      | 0-255   | 0 |
| 63 | Ring Segment | Red Segment 16                       | 0-255   | 0 |
| 64 | Ring Segment | Green Segment 16                     | 0-255   | 0 |
| 65 | Ring Segment | Blue Segment 16                      | 0-255   | 0 |
| 66 | Control      | No Function                          | 0-240   | 0 |
|    |              | All Motor Reset (Hold for 5 Seconds) | 241-255 |   |

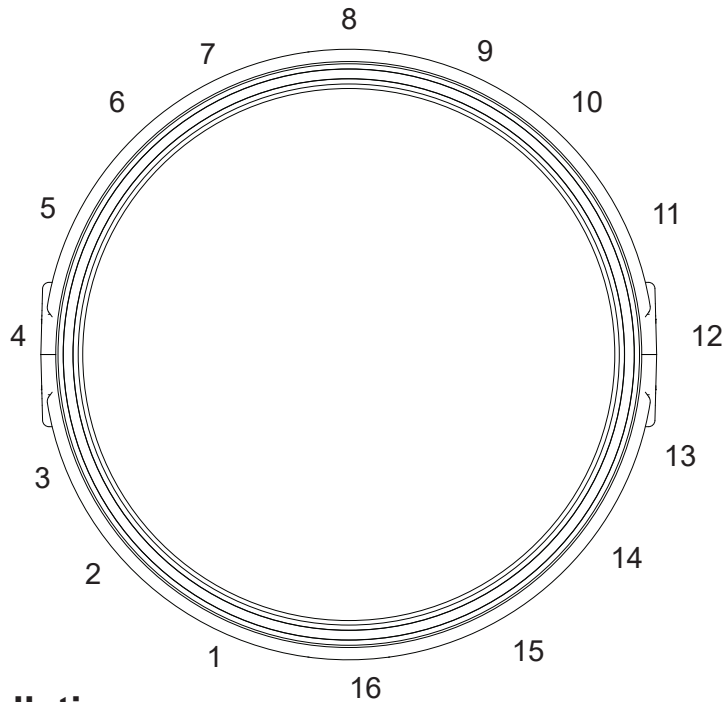
# Size and Weight



|                  |                         |
|------------------|-------------------------|
| Fixture Size:    | 18.62" X 11.8" X 22.25" |
| Fixture Weight:  | 37lb                    |
| Packaged Size:   | 22" X 19.25" X 21"      |
| Packaged Weight: | 44lb                    |

## Segment

---



Pan and Tilt Value set at 000

## Installation

---

### Caution!

1. The Installation must be carried out by an authorized dealer or trained professional.
2. Unit may cause severe injuries, if you have doubts concerning the safety do not install.
3. Unit is to be 24 inches away from flammable materials.
4. Use high quality installation equipment to hang the unit.
5. Internal Fan Filters must be cleaned periodically as not to block airflow.

When rigging the it is very important that you follow common safety procedures. Rigging requires extensive experience including but not limited to calculating working weight loads, material being used and periodic safety inspections. If you lack these qualifications, do not attempt the installation yourself, instead use a professional structural rigger.

When rigging the unit always be secure with a secondary safety attachment. The installation location of the fixture has got to be built in the way that it can hold 10 times the weight for 1 hour with out any failures. Installation should be checked at least one time a year by a skilled professional.

## Warning

---

Fixture should not be exposed to direct beam light for long periods of time!

### Warning!

Maintain a surface temperature of 160°F or lower. Exceeding this temperature will cause housing to melt

## General Terms & Conditions

1. All resellers must have approved and signed Reseller Application on file, including their respective state tax information and W-9. Applications are re-evaluated on a fiscal calendar year basis to assure business integrity and tax status.
2. Cash, check, cashiers check, ACH, wire transfer, MasterCard, Visa, Discover, and American Express are accepted forms of payment.
3. Past due invoices will be charged 1.5% per month finance charge. Uncollected invoices are subject to be turned over to collection.
4. The reseller will pay all reasonable expenses incurred in the course of collections.
5. The proper venue for litigation will be Bexar County, Texas.
6. Returned checks will be charged a \$50.00 fee.
7. All prices are in U.S. Dollars.
8. All prices and specifications are subject to change without notice, sales order confirmations are emailed and will reflect correct pricing.
9. All terms are insured, monitored, analyzed and approved by Coface USA. Changes in credit line and approved terms can change without notice. Company authorization of credit is based on Coface approvals. Any conflicts or disagreements should be referred to: 650 College Rd East Suite 2005 Princeton, NJ 08540. 1-609-469-0400. E-mail: cofaceusa@coface.com
10. Returns are subject to 25% restocking charge plus any necessary charges for repair or re-packaging.

## Shipping Terms & Conditions

1. All orders are EXW San Antonio, TX (EXW means that a buyer/reseller incurs the risks for bringing the goods to their final destination) any deviation needs to be done in writing.
2. UPS ground shipping is the preferred shipping method. Requests for specific carriers may require use of the customer's account number and may incur an additional charge for handling.
3. Drop shipments are subject to all return charges at resellers expense. Drop shipments are not allowed outside of the territorial United States.
4. NO C.O.D. shipments allowed.
5. Returned and undelivered shipment charges are the buyer/resellers responsibility and will be billed to the buyer/reseller.
6. The freight carrier and Company shipping@mega.lighting should be notified upon receipt of damaged freight, discrepancies, or non-conformities within 24 hours. Company can assist in making claims with carriers or agents in the event of any loss or damage.
7. Upon acceptance in good order by Carrier from Company, the material becomes the property of the Reseller.

## Warranty and Service Procedures

1. All returns require an RMA# (Return Merchandise Authorization number) before returning goods for any reason. For a service or warranty RMA, please email service@mega.lighting or call (210)684-2600. For sales or demo returns, please contact sales@mega.lighting.
2. Case will be created and an RMA notice will be emailed. All units received must have the RMA # included with the unit as well as on the shipping label.
3. All shipping charges are the responsibility of the customer: MEGA Systems, Inc., Service, 18668 HWY 16 N., Helotes, TX 78023

## Warranty for Products Purchased Before 2021

Unless otherwise stated in writing, product is covered by a one year parts and labor limited warranty and is subject to same limitations listed under the limited warranty exclusions listed below.

## Warranty for Products Purchased After January 1, 2021

**MEGA SYSTEMS INC** ("MSI") hereby warrants to the original purchaser/owner (Customer"), MSI products to be free of manufacturing defects in material and workmanship, for the warranty periods as defined below from the original purchase invoice date. This warranty applies exclusively to new MSI branded and/or distributed products listed below, purchased from an MSI AUTHORIZED dealer/reseller. This warranty is not transferrable and may or may not apply to products sold and/or forwarded outside the United States. Please contact MSI for applicable regional product warranty information.

The purchase of MSI product constitutes the Customer's acceptance of all warranty terms and conditions as listed in this limited warranty statement. This warranty provides the Customer with legal rights, which may vary from state to state. Please contact MSI regarding warranty questions prior to purchasing.

| Product / Series  | Warranty Period                                  | Coverage |
|---|--|----------|
| Battery Powered LED   | Six month battery, one year all other components | 1, 2     |
| Moving LED, Hazers  | One Year   | 2        |
| Outdoor IP-Rated LED  | Two Years  | 3        |
| House Light LED, Decorative LED, Compact LED, iCandy LED, Theatrical LED, Strobe Wash LED, Follow Spot LED, Production & House of Worship Control, Architectural Control, Theatrical Control, Dance Venue & Mobile DJ Control, Direct View LED Displays, and MV Controllers | Three Years                                      | 4        |

**1. Battery: 183 days/six months 2. Parts and Labor: 365 days/one year 3. Parts and Labor: 730 days/two years 4. Parts and Labor: 1095 days/three years**

**This limited warranty excludes any defects caused by, resulting from, or relating to the following:**  
Normal wear and tear of lamps, color media, brushes, contact rings, lamp sockets, belts and other parts prone to wear and tear.  
Misuse, abuse, improper handling, accident, alteration or attempts to repair by or on behalf of the owner or any person not authorized by MSI.  
Damage to the product resulting from acts of God, including but not limited to, earthquakes, hurricanes, tornadoes, lightning and other natural disasters, fire, explosion, flood, riots, civil disorder or any other cause beyond the reasonable control of MSI.  
Exposure to harsh or excessively corrosive environmental conditions (whether indoors or outdoors) including, but not limited to, extreme temperature, humidity, atmospheric conditions (including salinity or pressure), radiation (UV, infrared or nuclear), shock and conditions which exceed the product's Ingress Protection ("IP") rating.  
Use of the product in a manner which exceeds the applicable product specification, including, but not limited to, exposure to excessive, insufficient, or other voltage conditions.  
Installation or use of the product not in accordance with the technical documentation, MSI guidelines (as may be posted on its website at [www.megasystemsinc.com](http://www.megasystemsinc.com) from time to time or otherwise designated by MSI or its brands) or applicable building and electrical codes, regulations, and standards.  
Failure to maintain the product in accordance with the technical documentation.  
Natural degradation and color shift of the LED source over the course of normal product use.  
Slight deviations in the specified values of intensity and color that do not affect the functionality of the product.  
Use of the product not for its intended purpose.

All warranty claims are evaluated under the terms of this limited warranty. If a product falls within the warranty period and if, upon examination by MSI, it is found to have failed for a covered cause, MSI will, at its sole discretion, repair or replace the defective part or product or reimburse the purchaser a pro-rated portion of the purchase price based on the percentage of the warranty period still remaining as of the date that the returned product was received by MSI. Should a replacement part or product be discontinued or unavailable, MSI reserves the right, in its sole and absolute discretion, to substitute a comparable replacement part or product for the defective part of product. MSI warranty obligation hereunder is limited solely to the repair or replacement of or reimbursement for the particular parts or products determined by MSI to have failed for a covered cause within the warranty period. In no event shall MSI be responsible to replace or reimburse purchaser for any products or portions of a system that MSI determines has not failed for a covered cause within the warranty period, even if such other products or portions of a system are used together with products being repaired or replaced by MSI under this warranty and the repaired product differs in brightness, colors or any other attribute after the repair.

Costs of removal, shipping to MSI or its authorized representative and reinstallation are solely the responsibility of the purchaser. If MSI determines that the product is covered by this limited warranty, it will only pay for parts and labor as indicated by product type. If MSI determines that the product is not covered by this limited warranty, the purchaser will have the option of paying for the repair if the product can be repaired and the purchaser shall be responsible for the cost of shipping the repaired product back to the purchaser. MSI reserves the right, in its sole and absolute discretion, to decline any repair.

IN NO EVENT SHALL MEGA SYSTEMS, INC. BE LIABLE FOR ANY INCIDENTAL, CONSEQUENTIAL, SPECIAL, INDIRECT OR PUNITIVE LOSS OR DAMAGE OF ANY KIND, INCLUDING, BUT NOT LIMITED TO, LOSS OF PROFITS OR REVENUES, LOSS OF USE OF THE PRODUCT OR ANY OTHER GOODS OR ASSOCIATED EQUIPMENT, DAMAGE TO ANY ASSOCIATED EQUIPMENT, COST OF CAPITAL, COST OF SUBSTITUTE PRODUCTS, FACILITIES OR SERVICES, DOWN TIME COST, INSTALLATION OR LABOR COSTS, OR CLAIMS OF THE PURCHASER'S CUSTOMERS, WHETHER BASED ON WARRANTY, CONTRACT OR NEGLIGENCE, ARISING IN CONNECTION WITH THE SALE, USE OR REPAIR OF THE PRODUCT. MEGA SYSTEMS INC'S MAXIMUM LIABILITY SHALL NOT, IN ANY CASE, EXCEED THE PURCHASE PRICE OF THE PRODUCT THAT GIVES RISE TO THE CLAIM.

EXCEPT FOR THE LIMITED WARRANTY SET FORTH HEREIN, ALL PRODUCTS SOLD BY MEGA SYSTEMS, INC. ARE SOLD "AS IS" WITHOUT ANY WARRANTY, EXPRESS, OR IMPLIED, STATUTORY OR OTHERWISE, INCLUDING, BUT NOT LIMITED TO, IMPLIED WARRANTIES OR MERCHANTABILITY AND FITNESS FOR A PARTICULAR PURPOSE, ALL OF WHICH ARE EXPRESSLY AND SPECIFICALLY DISCLAIMED BY MEGA SYSTEMS, INC.

## Customer Support

---

MEGA-Lite has a customer support line to provide set-up help and to answer any questions should you encounter a problem. Please visit our website for any other related technical documents. For service related issues, please contact our service dept.

Monday - Friday 9am to 6pm CST  
(210)684-2600  
Service@mega.lighting

## Manual Version

---

Please visit [www.mega.lighting](http://www.mega.lighting) for the most up-to-date manual version.

| Manual Version | Date      | Fixture Software | Notes |
|----------------|-----------|------------------|-------|
| 1.0            | 4/15/2024 | 1.0.0            |       |



MEGA-LITE  
18668 Highway 16N  
Helotes, TX 78023  
Phone (210)684-2600 / Fax (210)855-6279  
[www.mega.lighting](http://www.mega.lighting) / [info@mega.lighting](mailto:info@mega.lighting)