

# MEGA LITE® outshine FLASH STRIP TW



## **Product Description:**

The OUTSHINE FLASH STRIP TW is a unique fixture that combines white and amber LEDs 5W each, with a total of 240 as its main element. It is divided into twelve pixels, which can create a burst of light or be pixel-controlled to create a running strobe FLASH effect. The unique amber strobe provides a blinder effect with a soft, elegant, warm feel. This primary element is sandwiched between two rows of red, green, and blue LEDs with 24 pixels. Each LED is .5W with a total of 720. The included diffuser provides an easy-to-attain soft look to the fixture, making it a light source with a graphical look when needed. As an IP 65 unit, it is protected against inclement weather, making it ideal for temporary outdoor applications. Its adjustable mounting base makes it perfect when mounting between truss crossbeams, taking into account features requested by our industry friends.

## **Linear Strobe**

Pixelized high output strobe in either amber or white

## **RGB Pixelable**

Two rows of pixelable RGB effects

## **Outdoor use IP65**

Designed to be used outdoors and indoors

## Mechanical Specifications

---

IP Rating:	IP65
Housing:	Die-Cast Aluminum
Power Connection:	Seetronics SAC3MPX Input (Nema 5-15 to SAC3Fx-67 cable included)
Signal Connection:	5 Pin XLR In and Out
Fastening System:	Adjustable Mounting Yoke

## Electrical Specifications

---

Light Source:	240 WA 4W LEDs 720 RGB .5W LEDs
Power Supply:	Electronic 90-264V AC 50/60
Power Consumption:	627 Watts 5.33 Amps @110V

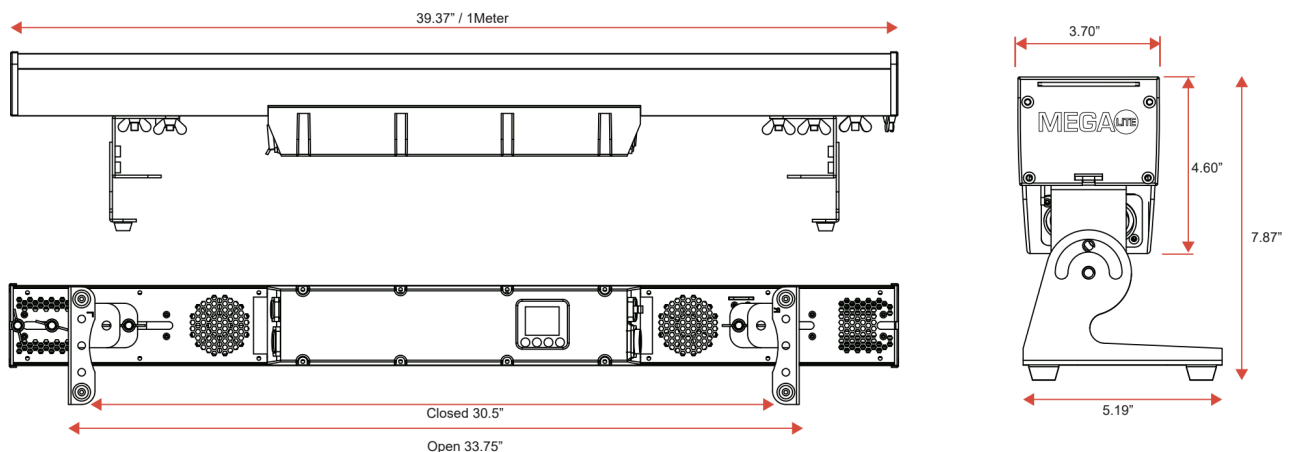
## Control System

---

Control Protocols:	DMX 512
RDM:	DMX Address, Channel Mode, Temperature Sensor, Device Hours
Channel Modes:	4 Modes of Operation Mode 1: 5 Channel mode Mode 2: 14 Channel mode Mode 3: 96 Channel mode Mode 4: 110 Channel mode
Display:	LCD

## Size and Weight

---



Fixture Size:	39.37" X 5.25" X 8" (1m x 13.33cm x 20.32cm)
Fixture Weight:	19.5 lb (8.84kg)
Packaged Size:	41.25" X 6.75" X 8.5" (104.7cm x 17.14cm x 21.59cm)
Packaged Weight:	21.5 lb (9.75kg)

## Included Items

---

Power Cable  
Diffusion Filter  
Manual

## Customer Service

---

MEGA-Lite has a customer support line to provide set-up help and answer any questions should you encounter a problem. Please visit our website for any other related technical documents. For service-related issues, please contact our service department at **[service@mega.lighting](mailto:service@mega.lighting)**

Operating Hours:	Monday - Friday 9AM - 6PM CST
Phone:	(210) 684-2600
Email:	<a href="mailto:Sales@mega.lighting">Sales@mega.lighting</a>

**MEGA**

18668 Highway 16N  
Helotes, TX 78023  
Phone (210)684-2600 / Fax (210)855-6279  
[www.mega.lighting](http://www.mega.lighting) / [info@mega.lighting](mailto:info@mega.lighting)