

MEGA LITE[®]

DRAMA

EW200



Product Description:

The Drama EW200 is a single-color 6024k Day white high-output 9053 lm @ 19°. Its 200W engine is quietly cooled, making it suitable for Theatrical and Church applications. It can be paired with four lenses: select from 19°, 26°, 36° and 50° beam angles. The unit comes with one lens included, which is specified when ordering. The unit is ideal for quiet applications such as theaters and churches. It is an affordable option within its class of luminaires, giving you affordability with confidence in its performance.

Daylight Color Temp

6024K Color temp ideal for gobo projection or to highlight any performance in true daylight color temp

Daylight With Good CRI

CRI 89 has good color rendering and daylight color temperature, smooth dimming, and high lumen output, making for a very bright ellipsoidal.

Quiet Operation

The combined heatsink and forced air fan work at a very low noise level, making the unit Ideal for theatrical applications.

Mechanical Specifications

Power Connection:	True-One type connection to NEMA 5-15
Signal Connection:	5 Pin XLR in and out
Lens Angle:	19°, 26°, 36°, 50°
Fastening System:	Single Mounting Yoke

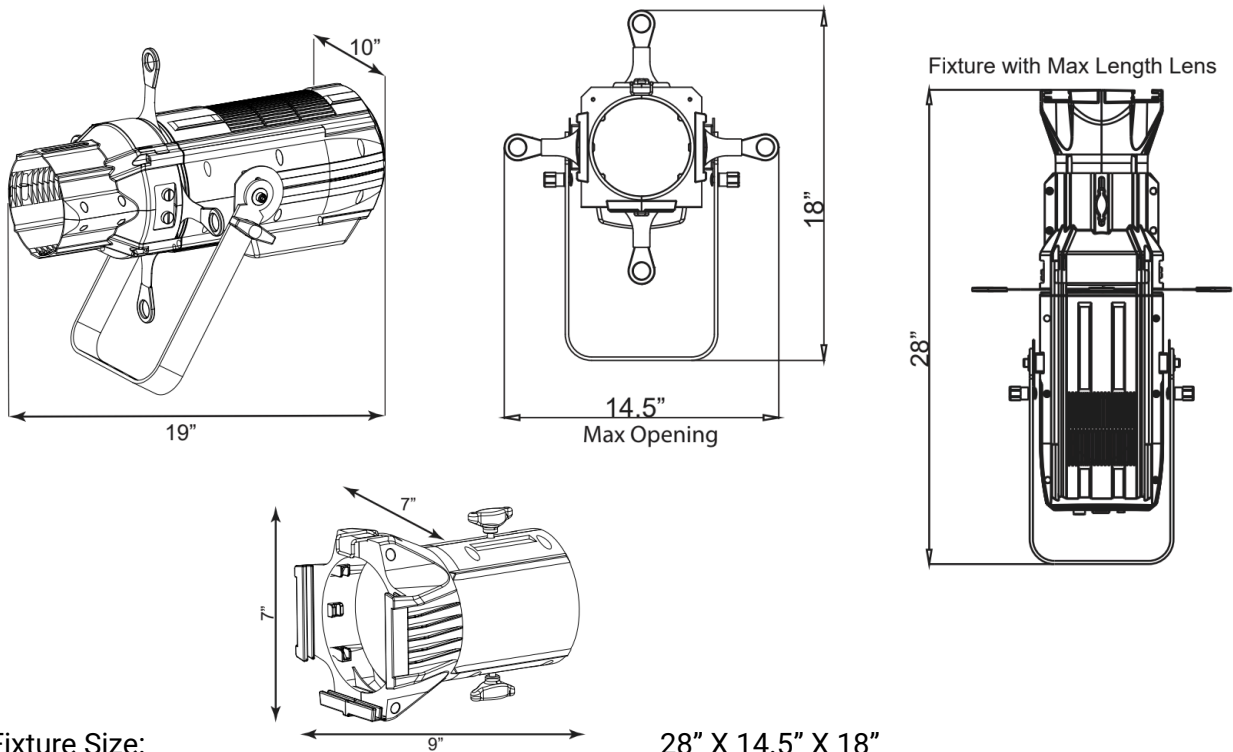
Electrical Specifications

Light Source:	200W COB LED
Color Temperature:	6024k
CRI (Warm White):	89
Lumen Output:	9053lm @ 19° 9901lm @ 26° 9912lm @ 36° 5590lm @ 50°
Power Supply:	HS-U400D42+12
Power Consumption:	185W

Control System

Control Protocols:	DMX 215, manual mode
RDM:	No
Channel Modes:	3 Modes of Operation Mode 1: 1 Channel mode Mode 2: 2 Channel mode Mode 3: 3 Channel mode
Display:	Digital

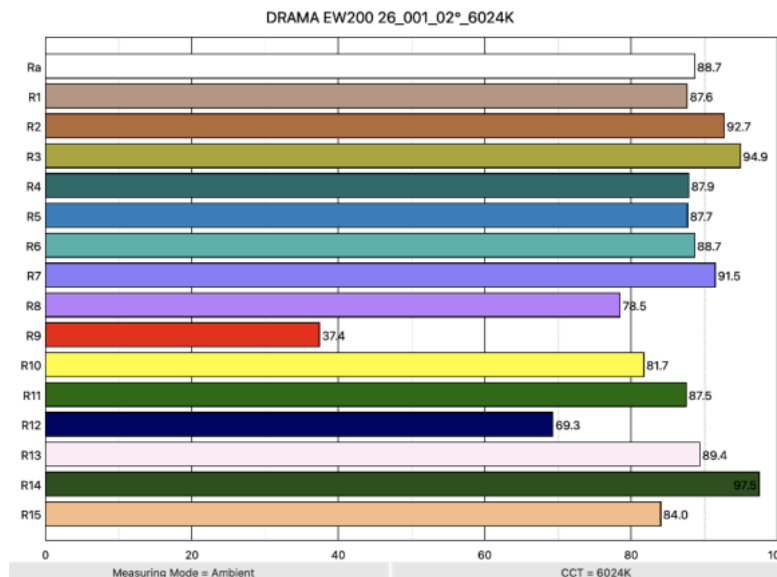
Size and Weight



Fixture Size: 28" X 14.5" X 18"
 Fixture Weight: 11lb
 Packaged Size: *27" X 12" X 12"
 Packaged Weight: 16` lb

*Lens packaged separately

Color Rendering



Included Items

Drama EW200	7063
Gobo Holder	7062-GOB
Color Holder	7062-GEL
True-One Power Cable	

Accessories:

19° Lens	7062-LEN-19
26° Lens	7062-LEN-26
36° Lens	7062-LEN-36
50° Lens	7062-LEN-50

Customer Service

MEGA-Lite has a customer support line to provide set-up help and answer any questions should you encounter a problem. Please visit our website for any other related technical documents. For service-related issues, please contact our service department at **service@mega.lighting**

Operating Hours:

Monday - Friday 9AM - 6PM CST

Phone:

(210) 684-2600

Email:

Sales@mega.lighting



18662 Bandera Rd

Helotes, TX 78023

Phone (210)684-2600 / Fax (210)855-6279

www.mega.lighting / info@mega.lighting