

# MEGA<sup>®</sup>LITE

# VICEROY



## USER MANUAL

### Table of Contents

Safety Information	2
What's Included	2
Specifications	3
Main Power Connection	4
DMX Connection	4
Display Settings	5
DMX Profile	7
Size And Weight	9
Installation	10
Parts and Accessories	10
Warranty	11
Customer Service	12

**Check that the unit has not been damaged during transport.**



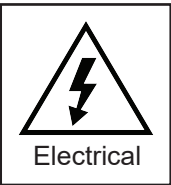
Read all cautions and warnings  
prior to operation of this  
equipment

### Protection Against Fire



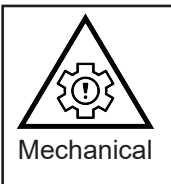
1. Maintain a minimum of 1 foot distance from any type of flame.
2. Fixture is designed for indoor and outdoor use.
3. Do not install the unit too close to a heat source.
4. Make sure cables are properly secured.
5. Maximum surface operating temperature: 130°.
6. Make sure fixture lens are not pointing towards the sun or direct light input.

### Protection Against Electrical Fire



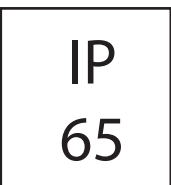
1. Disconnect power before servicing.
2. For connection to main power supply, proceed to page 4.
3. The power supply must be earthed (electronically grounded).
4. This fixture must not be left on for long periods of time.

### Protection Against Mechanical Hazards



1. Use secondary safety chain when hanging unit.
2. Use quality clamps or bolts when positioning unit.
3. Do not open unit while it is on. Risk of electrical shock.

### Ingress Protection



The IP rating is commonly expressed as IP (Ingress Protection) is followed by 2 numbers (i.e. 65) where the numbers define the fixture rating. The first number indicates the size of a particle that can enter the fixture.. The second number indicates the extent of protection against water entering the fixture. An IP65 rating in this fixture indicates that dust particles can not enter the fixture, and there is protection against water spray from entering the fixture from any direction.

### What is Included

- 1pc Viceroy Fixture
- 1pc Power Cable - Nema 5-15 to SAC3FX-67
- 1pc User Manual

# Specifications

---

## Fixture ID 4155-Viceroy

### Mechanical Specifications

---

<b>Housing:</b>	Die-Cast Aluminum
<b>Outdoor Rating:</b>	IP-65
<b>Mounting System:</b>	Mounting Yoke
<b>Power Connection:</b>	Input: Seetronics SAC3MPX-67 Output: Seetronics SAC3FPX-67-01 Cable Input: Nema 5-15 to SAC3FX-67 (cable included)
<b>Signal Connection:</b>	Input: Seetronics J5F2C-W-B-67 5 pin XLR Output: Seetronics K5F2C-W-B-67 5 pin XLR
<b>Lens Angle:</b>	Center: 55° Bar: 60°
<b>Weight:</b>	42.1lb
<b>Size:</b>	21.6" X 19" X 10.6"

### Electrical Specifications

---

<b>Light Source:</b>	<b>Center:</b> 1 X 400W Red, Green Blue, Amber, Line <b>Ring:</b> 256 X 0.5W Red, Green, Blue (8 segments) <b>Bar:</b> 35 X 20W Amber, White (5 Segments)
<b>Power:</b>	Electronic 100-240V AC 50/60
<b>Power Consumption:</b>	449 Watts 3.69 Amps @ 120V
<b>Power Link:</b>	3 Units @ 120V

### Control & Programming

---

<b>Protocol:</b>	DMX 512, RDM
<b>DMX 4 Modes:</b>	<b>5 Channel Mode:</b> Dimmer, R, G, B, Amber, Lime <b>20 Channel Mode:</b> Dimmer, R, G, B, Amber, Lime, Center Strobe, Ring Strobe, Ring Shutter Macro, Macro Speed, RGB Color Effect, Color Effect Speed, VW Strobe, VW Shutter Macro, VW Macro Speed <b>39 Channel Mode:</b> Dimmer, R, G, B, Amber, Lime, Ring Segment 1-8, Bar Segment 1-5 <b>54 Channel Mode:</b> Dimmer, R, G, B, Amber, Lime, Center Strobe, Ring Strobe, Ring Shutter Macro, Macro Speed, RGB Color Effect, Color Effect Speed, VW Strobe, VW Shutter Macro, VW Macro Speed, Ring Segment 1-8, Bar Segment 1-5
<b>RDM Parameters:</b>	Fixture Label DMX Start Channel Address Channel Mode Set Temperature Sensor Keep DMX Data Scan Rate Dimmer Curve White Balance RGBW Fan Speed
<b>Operating Mode:</b>	DMX, Auto and Manual Settings Via Display

## Main Power Connection

### Caution!

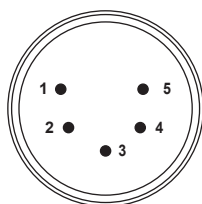
1. Do not connect fixture to a dimmer system.
2. This unit must be earthed. (Electronically grounded)
3. Replace fuse only with the specified type and rating.
4. This device is equipped with auto switching power supply that will allow the fixture to work from 100-240V AC 50/60Hz
5. Power Link max 3 units at 120V

Cable USA	Cable EU	110V	220V
Black	Brown	Live	Live
White	Light Blue	Neutral	Live
Green	Yellow / Green	Ground	Ground

## DMX-512 Connection

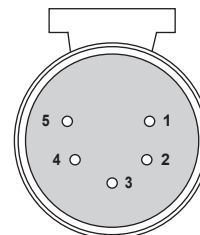
The fixture is equipped with 5 pin XLR Sockets for DMX input and output connection. The sockets are wired in parallel. Only use a shielded twisted pair cable designed for RS-485 and 5 pin XLR plugs and connectors in order to connect the controller with the fixture or the fixture with another.

### DMX - Input



1. Shield (Grd)
2. Signal (-)
3. Signal (+)
4. N/A
5. N/A

### DMX - Output



### Caution!

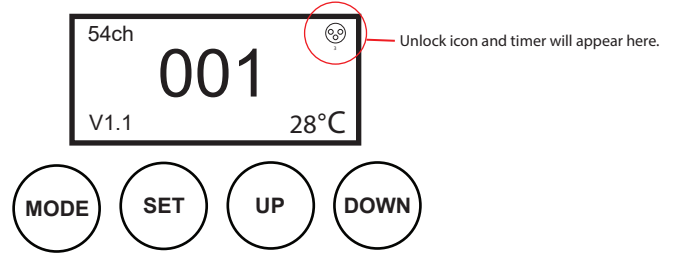
On the last fixture the DMX signal needs to be terminated with a terminator. Pre-manufactured terminator are available for purchase from your Mega-Lite dealer item #P-DMX-T.

# Display Control

The control board on the fixture base is your interface to access and control all the functions on the unit. It's LCD display gives you a code view of the options and functions. The following will explain each function.

## The Viceroy comes with Key Lock enabled.

To unlock the fixture (from the home screen), press the MODE and SET buttons for three seconds. You will see a countdown in the top right corner of the screen until the unit is unlocked.



- 1.DMX
- 2.Slave
- 3.Dimmer
- 4.Auto

DMX	
Address:	001
Channels:	54

**Addressing:** Use the Up/Down buttons to select the large 3 digit numbers. Press SET use the Up/Down buttons to select the appropriate start channel. Start channel must match the DMX controller start channel.

- 4.Auto
- 5.Program
- 6.Settings
- 7.Information

**Settings:** The settings menu allows you to customize the fixture operational functions.

Settings
1.Dimmer Curve
2.Dimmer Speed
3.Display Dir
4.PWM Frequency
5.DMX Fail
6.Fan Mode
7.Backlight Time
8.Key Backlight
9.Key Lock
10.Factory Reset

**Dimmer Curve:** Dimming Curve Options, **Linear, Square, Inverse Square** and **S-curve**.

**Dimmer Speed:** Dimmer Speed Options, **Auto, Slow, Medium, and Fast**.

**Display Dir:** Allows the adjustment of the direction of the display.

**PWM Frequency:** Select desired PWM Frequency.

**DMX Fail:** If DMX Signal is lost=  
**OFF** option will turn the DMX channels to 0  
**Hold** will hold the last DMX channel sent.  
**Dimmer** will default to set Dimmer mode options.  
**Program** will default to set Program mode options.

**Fan Mode:** Select between **Auto, High, Low, and OFF** for fan operations.

**Backlight Time:** Adjust display backlight timer.

**Key Backlight:** Allows adjustment of the backlight on the menu keys.

**Key Lock:** Turn the fixture key lock **ON** or **OFF**. To unlock the fixture (from the home screen), press the MODE and SET buttons for three seconds. You will see a countdown in the top right corner of the screen until the unit is unlocked.

**Factory Reset:** Resets fixture's state to factory settings.

- 1.DMX
- 2.Slave
- 3.Dimmer
- 4.Auto

**Slave:** Sets fixture in slave mode. Fixture must be placed on DXM start channel 001.

- 1.DMX
- 2.Slave
- 3.Dimmer
- 4.Auto

**Dimmer:** Manual control of all light features. Adjust to desired effect.

- 1.DMX
- 2.Slave
- 3.Dimmer
- 4.Auto

**Auto:** Options for Playback Auto Program, **YES** or **NO**. Yes enables auto mode.

- 4.Auto
- 5.Program
- 6.Settings
- 7.Information

**Program:** Select between 49 preprogrammed modes and adjust their speed and strobe rate.

- 4.Auto
- 5.Program
- 6.Settings
- 7.Information

**Information:** The information menu provides info about the fixtures operations.

Information

- 1.Version
- 2.Temperature
- 3.Fan Speed
- 4.Time
- 5.RDM UID
- 6.Error Status

**Version:** Information on the current software version.

**Temperature:** Allows you to monitor LED 1-6 temperatures.

**Fan Speed:** Shows fan RPM and power fan RPM.

**Time:** Shows fixture power on time and LED running time.

**RDM UID:** Provides the fixtures RDM UID code.

**Error Status:** Displays operational errors.

## Viceroy DMX Profile

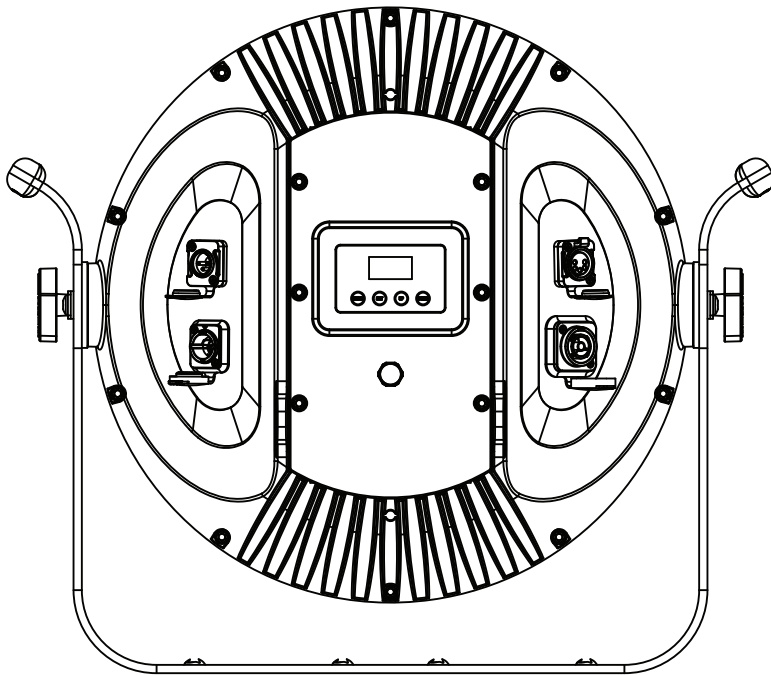
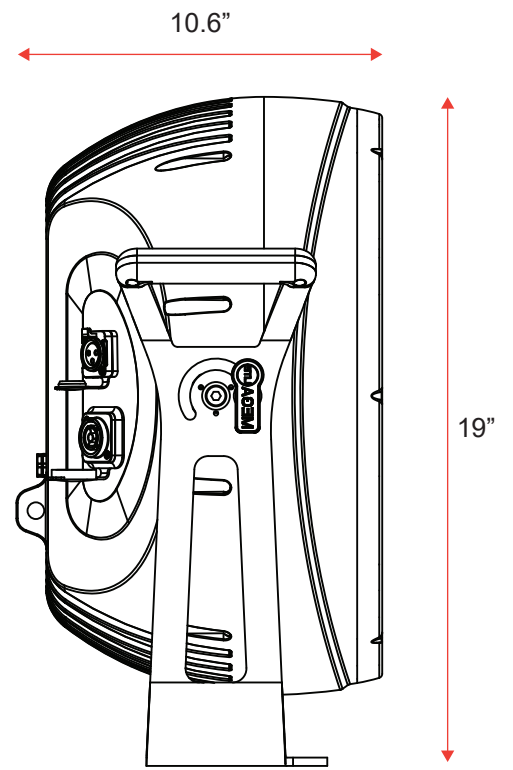
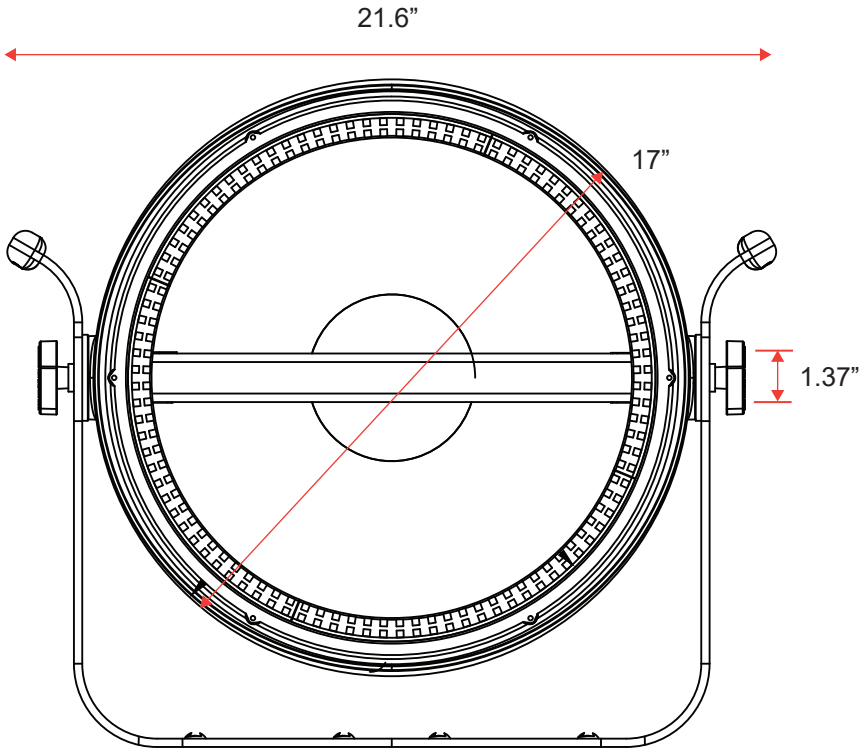
5 Channel Mode	20 Channel Mode	39 Channel Mode	54 Channel Mode	Function	Description	Value	Init Value
	1		1	Dimmer	Dimmer Off to Full	0-255	255
1	2	1	2	LED Intensity	Center Red LED Intensity	0-255	255
2	3	2	3	LED Intensity	Center Green LED Intensity	0-255	255
3	4	3	4	LED Intensity	Center Blue LED Intensity	0-255	255
4	5	4	5	LED Intensity	Center Amber LED Intensity	0-255	255
5	6	5	6	LED Intensity	Center Lime LED Intensity	0-255	255
	7		7	Center Strobe (Requires R,G,B,A,L LED Intensity)	No Function	0-9	0
					Strobe (slow to fast)	10-99	
					Pulse Strobe (slow to fast)	100-149	
					Random Strobe All (slow to fast)	150-255	
	8		8	LED Intensity	Ring Red LED Intensity	0-255	255
	9		9	LED Intensity	Ring Green LED Intensity	0-255	255
	10		10	LED Intensity	Ring Blue LED Intensity	0-255	255
	11		11	Ring Strobe (Requires R,G,B,W LED Intensity)	No Function	0-9	0
					Strobe (slow to fast)	10-99	
					Pulse Strobe (slow to fast)	100-149	
					Random Strobe All (slow to fast)	150-199	
					Random Strobe Each Segment (slow to fast)	200-255	
	12		12	Ring Shutter Macro (Requires LED Intensity)	No Function	0-9	0
					Macro 1	10-49	
					Macro 2	50-99	
					Macro 3	100-109	
					Macro 4	110-119	
					Macro 5	120-129	
					Macro 6	130-139	
					Macro 7	140-149	
					Macro 8	150-159	
					Macro 9	160-169	
					Macro 10	170-179	
					Macro 11	180-189	
					Macro 12	190-199	
					Macro 13	200-209	
					Macro 14	210-219	
					Macro 15	220-227	
					Macro 16	228-255	
	13		13	Macro Speed	Macro Speed (slow to fast)	0-255	0
	14		14	Ring Color Effect	No Function	0-9	0
					Macro 1	10-49	
					Macro 2	50-99	
					Macro 3	100-109	
					Macro 4	110-119	
					Macro 5	120-129	
					Macro 6	130-139	
					Macro 7	140-149	
					Macro 8	150-159	
					Macro 9	160-169	

# DMX Profile

					Macro 10	170-179	
					Macro 11	180-189	
					Macro 12	190-199	
					Macro 13	200-209	
					Macro 14	210-219	
					Macro 15	220-227	
					Macro 16	228-255	
	15		15	Color Effect Speed	Color Effect Speed (slow to fast)	0-255	0
	16		16	LED Intensity	Bar Amber LED Intensity	0-255	255
	17		17	LED Intensity	Bar White LED Intensity	0-255	255
	18		18	VW Strobe (Requires W,A LED Intensity) Strobe	No Function	0-9	0
Strobe (slow to fast)					10-99		
Pulse Strobe (slow to fast)					100-149		
Random Strobe All (slow to fast)					150-199		
Random Strobe Each (slow to fast)					200-255		
19			19	VW Shutter Macro (Requires LED Intensity)	No Function	0-9	0
					Macro 1	10-49	
					Macro 2	50-99	
					Macro 3	100-109	
					Macro 4	110-119	
					Macro 5	120-129	
					Macro 6	130-139	
					Macro 7	140-149	
					Macro 8	150-159	
					Macro 9	160-169	
					Macro 10	170-179	
					Macro 11	180-189	
					Macro 12	190-199	
					Macro 13	200-209	
					Macro 14	210-219	
					Macro 15	220-227	
					Macro 16	228-255	
	20		20	VW Macro Speed	Macro Speed (slow to fast)	0-255	0
		6	21	Ring Segment 1	Ring Segment 1 Red	0-255	0
		7	22	Ring Segment 1	Ring Segment 1 Green	0-255	0
		8	23	Ring Segment 1	Ring Segment 1 Blue	0-255	0
		" "	" "	" "	" "	" "	" "
		27	42	Ring Segment 8	Ring Segment 8 Red	0-255	0
		28	43	Ring Segment 8	Ring Segment 8 Green	0-255	0
		29	44	Ring Segment 8	Ring Segment 8 Blue	0-255	0
		30	45	Bar Segment 1	Bar Segment 1 Amber	0-255	0
		31	46	Bar Segment 1	Bar Segment 1 White	0-255	0
		" "	" "	" "	" "	" "	" "
		38	53	Bar Segment 5	Bar Segment 5 Amber	0-255	0
		39	54	Bar Segment 5	Bar Segment 5 White	0-255	0



# Size and Weight



Fixture Size:	21.6" X 19" X 10.6"
Fixture Weight:	42.1lb
Packaged Size:	25.75" X 22.5" X 14.5"
Packaged Weight:	53lb

## Installation

### Caution!

1. The Installation must be carried out by an authorized dealer or trained professional.
2. Unit may cause severe injuries, if you have doubts concerning the safety do not install.
3. Unit is to be 24 inches away from flammable materials.
4. Use high quality installation equipment to hang the unit.

When rigging the it is very important that you follow common safety procedures. Rigging requires extensive experience including but not limited to calculating working weight loads, material being used and periodic safety inspections. If you lack these qualifications, do not attempt the installation yourself, instead use a professional structural rigger.

When rigging the unit always be secure with a secondary safety attachment. The installation location of the fixture has got to be built in the way that it can hold 10 times the weight for 1 hour with out any failures. Installation should be checked at least one time a year by a skilled professional.

## Parts & Accessories

Part Number	Description
4155-GLA	FRONT GLASS
4155-GAS-FRO	FRONT RUBBER GASKET
4155-LED-STR	LED MODULE STROBE BOARD
4155-LED-RIN	LED MODULE FRONT RING
4155-FAN-SQU	SMALL SQUIREL FAN
4155-PCB-DRI-CEN	CENTER LED DRIVE PCB
4155-KNO	MEGA KNOB
4155-PCB-DRI-LED	RING AND STROBE LED DRIVER
4155-LED-CEN	CENTER 6 IN 1 COB LED
4155-FAN	EXTERNAL FAN
4155-PCB-DIS	DISPLAY PCB
4155-VAL	VENTING VAPOR VALVE
4155-GAS-REA	REAR GASKET
4155-POW	POWER SUPPLY
4155-YOK	YOKE (WITH HARDWARE)
4155-ACC-H	RING & CENTER BAR DIFFUSION
4155-ACC-DIF	FULL DIFFUSION
4155-HOU-QUI	QUICK RELEASE CLAMP MOUNT
4155-ACC-HEX	HEXAGON METAL GRILL

## General Terms & Conditions

1. All resellers must have approved and signed Reseller Application on file, including their respective state tax information and W-9. Applications are re-evaluated on a fiscal calendar year basis to assure business integrity and tax status.
2. Cash, check, cashiers check, ACH, wire transfer, MasterCard, Visa, Discover, and American Express are accepted forms of payment.
3. Past due invoices will be charged 1.5% per month finance charge. Uncollected invoices are subject to be turned over to collection.
4. The reseller will pay all reasonable expenses incurred in the course of collections.
5. The proper venue for litigation will be Bexar County, Texas.
6. Returned checks will be charged a \$50.00 fee.
7. All prices are in U.S. Dollars.
8. All prices and specifications are subject to change without notice, sales order confirmations are emailed and will reflect correct pricing.
9. All terms are insured, monitored, analyzed and approved by Coface USA. Changes in credit line and approved terms can change without notice. Company authorization of credit is based on Coface approvals. Any conflicts or disagreements should be referred to: 650 College Rd East Suite 2005 Princeton, NJ 08540. 1-609-469-0400. E-mail: cofaceusa@coface.com
10. Returns are subject to 25% restocking charge plus any necessary charges for repair or re-packaging.

## Shipping Terms & Conditions

1. All orders are EXW San Antonio, TX (EXW means that a buyer/reseller incurs the risks for bringing the goods to their final destination) any deviation needs to be done in writing.
2. UPS ground shipping is the preferred shipping method. Requests for specific carriers may require use of the customer's account number and may incur an additional charge for handling.
3. Drop shipments are subject to all return charges at resellers expense. Drop shipments are not allowed outside of the territorial United States.
4. NO C.O.D. shipments allowed.
5. Returned and undelivered shipment charges are the buyer/resellers responsibility and will be billed to the buyer/reseller.
6. The freight carrier and Company shipping@mega.lighting should be notified upon receipt of damaged freight, discrepancies, or non-conformities within 24 hours. Company can assist in making claims with carriers or agents in the event of any loss or damage.
7. Upon acceptance in good order by Carrier from Company, the material becomes the property of the Reseller.

## Warranty and Service Procedures

1. All returns require an RMA# (Return Merchandise Authorization number) before returning goods for any reason. For a service or warranty RMA, please email service@mega.lighting or call (210)684-2600. For sales or demo returns, please contact sales@mega.lighting.
2. Case will be created and an RMA notice will be emailed. All units received must have the RMA # included with the unit as well as on the shipping label.
3. All shipping charges are the responsibility of the customer: MEGA Systems, Inc., Service, 18668 HWY 16 N., Helotes, TX 78023

## Warranty for Products Purchased Before 2021

Unless otherwise stated in writing, product is covered by a one year parts and labor limited warranty and is subject to same limitations listed under the limited warranty exclusions listed below.

## Warranty for Products Purchased After January 1, 2021

**MEGA SYSTEMS INC** ("MSI") hereby warrants to the original purchaser/owner (Customer"), MSI products to be free of manufacturing defects in material and workmanship, for the warranty periods as defined below from the original purchase invoice date. This warranty applies exclusively to new MSI branded and/or distributed products listed below, purchased from an MSI AUTHORIZED dealer/reseller. This warranty is not transferrable and may or may not apply to products sold and/or forwarded outside the United States. Please contact MSI for applicable regional product warranty information.

The purchase of MSI product constitutes the Customer's acceptance of all warranty terms and conditions as listed in this limited warranty statement. This warranty provides the Customer with legal rights, which may vary from state to state. Please contact MSI regarding warranty questions prior to purchasing.

Product / Series	Warranty Period	Coverage
Battery Powered LED	Six month battery, one year all other components	1, 2
Moving LED, Hazers	One Year	2
Outdoor IP-Rated LED	Two Years	3
House Light LED, Decorative LED, Compact LED, iCandy LED, Theatrical LED, Strobe Wash LED, Follow Spot LED, Production & House of Worship Control, Architectural Control, Theatrical Control, Dance Venue & Mobile DJ Control, Direct View LED Displays, and MV Controllers	Three Years	4

**1. Battery: 183 days/six months 2. Parts and Labor: 365 days/one year 3. Parts and Labor: 730 days/two years 4. Parts and Labor: 1095 days/three years**

### This limited warranty excludes any defects caused by, resulting from, or relating to the following:

- Normal wear and tear of lamps, color media, brushes, contact rings, lamp sockets, belts and other parts prone to wear and tear.
- Misuse, abuse, improper handling, accident, alteration or attempts to repair by or on behalf of the owner or any person not authorized by MSI.
- Damage to the product resulting from acts of God, including but not limited to, earthquakes, hurricanes, tornadoes, lightning and other natural disasters, fire, explosion, flood, riots, civil disorder or any other cause beyond the reasonable control of MSI.
- Exposure to harsh or excessively corrosive environmental conditions (whether indoors or outdoors) including, but not limited to, extreme temperature, humidity, atmospheric conditions (including salinity or pressure), radiation (UV, infrared or nuclear), shock and conditions which exceed the product's Ingress Protection ("IP") rating.
- Use of the product in a manner which exceeds the applicable product specification, including, but not limited to, exposure to excessive, insufficient, or other voltage conditions.
- Installation or use of the product not in accordance with the technical documentation, MSI guidelines (as may be posted on its website at www.megasystemsinc.com from time to time or otherwise designated by MSI or its brands) or applicable building and electrical codes, regulations, and standards.
- Failure to maintain the product in accordance with the technical documentation.
- Natural degradation and color shift of the LED source over the course of normal product use.
- Slight deviations in the specified values of intensity and color that do not affect the functionality of the product.
- Use of the product not for its intended purpose.

All warranty claims are evaluated under the terms of this limited warranty. If a product falls within the warranty period and if, upon examination by MSI, it is found to have failed for a covered cause, MSI will, at its sole discretion, repair or replace the defective part or product or reimburse the purchaser a pro-rated portion of the purchase price based on the percentage of the warranty period still remaining as of the date that the returned product was received by MSI. Should a replacement part or product be discontinued or unavailable, MSI reserves the right, in its sole and absolute discretion, to substitute a comparable replacement part or product for the defective part of product. MSI warranty obligation herunder is limited solely to the repair or replacement of or reimbursement for the particular parts or products determined by MSI to have failed for a covered cause within the warranty period. In no event shall MSI be responsible to replace or reimburse purchaser for any products or portions of a system that MSI determines has not failed for a covered cause within the warranty period, even if such other products or portions of a system are used together with products being repaired or replaced by MSI under this warranty and the repaired product differs in brightness, colors or any other attribute after the repair.

Costs of removal, shipping to MSI or its authorized representative and reinstallation are solely the responsibility of the purchaser. If MSI determines that the product is covered by this limited warranty, it will only pay for parts and labor as indicated by product type. If MSI determines that the product is not covered by this limited warranty, the purchaser will have the option of paying for the repair if the product can be repaired and the purchaser shall be responsible for the cost of shipping the repaired product back to the purchaser. MSI reserves the right, in its sole and absolute discretion, to decline any repair.

IN NO EVENT SHALL MEGA SYSTEMS, INC. BE LIABLE FOR ANY INCIDENTAL, CONSEQUENTIAL, SPECIAL, INDIRECT OR PUNITIVE LOSS OR DAMAGE OF ANY KIND, INCLUDING, BUT NOT LIMITED TO, LOSS OF PROFITS OR REVENUES, LOSS OF USE OF THE PRODUCT OR ANY OTHER GOODS OR ASSOCIATED EQUIPMENT, DAMAGE TO ANY ASSOCIATED EQUIPMENT, COST OF CAPITAL, COST OF SUBSTITUTE PRODUCTS, FACILITIES OR SERVICES, DOWN TIME COST, INSTALLATION OR LABOR COSTS, OR CLAIMS OF THE PURCHASER'S CUSTOMERS, WHETHER BASED ON WARRANTY, CONTRACT OR NEGLIGENCE, ARISING IN CONNECTION WITH THE SALE, USE OR REPAIR OF THE PRODUCT. MEGA SYSTEMS INC'S MAXIMUM LIABILITY SHALL NOT, IN ANY CASE, EXCEED THE PURCHASE PRICE OF THE PRODUCT THAT GIVES RISE TO THE CLAIM.

EXCEPT FOR THE LIMITED WARRANTY SET FORTH HEREIN, ALL PRODUCTS SOLD BY MEGA SYSTEMS, INC. ARE SOLD "AS IS" WITHOUT ANY WARRANTY, EXPRESS, OR IMPLIED, STATUTORY OR OTHERWISE, INCLUDING, BUT NOT LIMITED TO, IMPLIED WARRANTIES OR MERCHANTABILITY AND FITNESS FOR A PARTICULAR PURPOSE, ALL OF WHICH ARE EXPRESSLY AND SPECIFICALLY DISCLAIMED BY MEGA SYSTEMS, INC.

## Customer Support

---

MEGA-Lite has a customer support line to provide set-up help and to answer any questions should you encounter a problem. Please visit our website for any other related technical documents. For service related issues, please contact our service dept.

Monday - Friday 9am to 6pm CST  
(210)684-2600  
Service@mega.lighting

## Manual Version

---

Please visit [www.mega.lighting](http://www.mega.lighting) for the most up-to-date manual version.

Manual Version	Date	Fixture Software	Notes
1.1	03/07/2025	1.5.0	



MEGA LITE  
18662 Bandera Rd  
Helotes, TX 78023  
Phone (210)684-2600 / Fax (210)855-6279  
[www.mega.lighting](http://www.mega.lighting) / [info@mega.lighting](mailto:info@mega.lighting)