

# MEGA<sup>LITE</sup><sup>®</sup>

# CITYSCAPE

## FLOOD Q48

### **Product Description:**

The Cityscape Flood Q48 is a compact, modern-looking IP65 wash luminaire with a wide 95° beam angle that can illuminate indoor or outdoor applications. Powered by our Tetra Driver series, it allows the Tetra driver to live near a power source and provide voltage to the units using our 5-pin XLR Ip-rated connectors and cables that can control the unit as far away as 100" from the driver, eliminating the expensive copper electrical outlet installations. The Tetra Diver four can drive four units using IP connections and is ideal for outdoor installation. It can also be used inside as a compact wash, using an array of drivers and connection converts. Allowing for use with cat6/RJ45 cabling for color-washing surfaces and making colors come alive.



### **WIDE FLOOD COVERAGE**

The Cityscape Flood is the perfect small unit for creating broad wash color effects in any environment. Its nominal beam angle of 95° floods your environment with a strong 1716 lm of light.

### **TETRA DRIVER COMPATIBLE**

Powered and controlled by our Tetra Driver units, the Cityscape Flood is part of the Tetra Driver series and comes with 4 and 16-unit control. All Tetra drivers connect using Cat6/RJ45, making for easy and safe low-voltage installations.

### **IP RATED**

The Cityscape Flood is rated IP65, making it the perfect wash fixture for lighting outdoor or indoor areas and or venues.

## Mechanical Specifications

---

IP Rating:	IP65
Housing:	Die-Cast Aluminum, AB47100
Power Connection:	Seetronic SCWM5-B-67
Cable Length:	48 inch
Lens Angle:	95°
Fastening System:	Mounting Yoke

## Electrical Specifications

---

Light Source:	84 X 0.5W RGBWW LEDs
Color Temperature:	3035K
CRI (Warm White):	83
Lumen Output:	1,716
Power Supply:	24V DC
Power Consumption:	48W

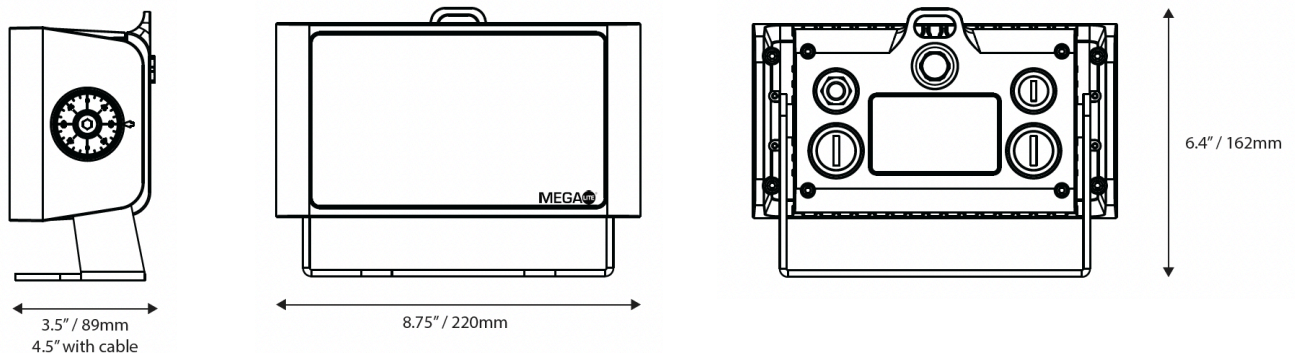
## Control System

---

Control Protocols:	DMX 512
RDM:	No
Channel Modes:	2 Modes of operation Mode 1: 4 channel mode Mode 2: 7 channel mode
Driver Compatibility:	Light Pipe Driver 4 Light Pipe Driver 16

## Dimensions

---



Fixture Size:	8.75" X 3.5" X 6.4"
Fixture Weight:	5 lb
Packaged Size:	11.25" X 9" X 6.75"
Packaged Weight:	6 lb

## Included Items

---

Cityscape Flood Q48	5075
Strain Relief Washer Adapter	
Strain Relief 1/2 NTP thread	

### Accessories:

---

1FT Cable jumper male to female	5049-CAB-1FT
5FT Cable jumper male to female	5049-CAB-5FT
10FT Cable jumper male to female	5049-CAB-10FT
15FT Cable jumper male to female	5049-CAB-15FT
20FT Cable jumper male to female	5049-CAB-20FT
50FT Cable jumper male to female	5049-CAB-50FT
Cable adapter RJ45 to 5 pin XLR	5049-CAB-ADA
PCB board adapter RJ45 to 5 pin XLR	5049-PCB-ADA

## Customer Service

---

MEGA-Lite has a customer support line to provide set-up help and answer any questions should you encounter a problem. Please visit our website for any other related technical documents. For service-related issues, please contact our service department at **[service@mega.lighting](mailto:service@mega.lighting)**

Operating Hours:	Monday - Friday 9AM - 6PM CST
Phone:	(210) 684-2600
Email:	<a href="mailto:Sales@mega.lighting">Sales@mega.lighting</a>



18668 Highway 16N

Helotes, TX 78023

Phone (210)684-2600 / Fax (210)855-6279

[www.mega.lighting](http://www.mega.lighting) / [info@mega.lighting](mailto:info@mega.lighting)